

Optimum and reliable light at any location



Custom made solutions

## Contents

### Rechargeable lights

Pages 3-10

*Flash*LIGHT rechargeable light  
*Stabi*LED ACCU, tubular light rechargeable  
**MULTI** rechargeable light  
**MITRALUX L150** rechargeable hand-held searchlight  
**MITRALUX CS125** battery hand-held light  
**MITRALUX L140** battery hand-held lamp  
**Star**LED® - LED hand-held lamp



### Workplace lights, room lights, machine lights

Pages 11-22

*Prima*LIGHT flood lamps - 55 W  
*Prima*LIGHT flood lamps - 38 W  
*Prima*LIGHT flood light with LED emergency light  
**MULTI** 55 W Workplace lights  
**MULTI** 72 W Workplace lights  
**MULTI** 870 Workplace lights  
**HPM** safety tubular lights



### Tubular and hand-held lamps

Pages 23-27

*Stabi*LED tubular light  
*Stabi*LIGHT  
 Tubular lamp FL  
 Hand-held lamp 985  
 Hand-held light with basket guard 917  
 Halogen hand-held searchlight 911



### Workplace lights

Pages 28-30

**Master**LIGHT  
**Master**LIGHT A



### Halogen projector lamps, searchlights

Pages 31-34

Halogen floodlight projector 92/94/95  
 Halogen floodlight projector 9660  
 Halogen lamp



### Example applications

Page 35

Explosion-proof lights can be found in our special brochure „Explosion-proof products“.

# FlashLIGHT rechargeable light

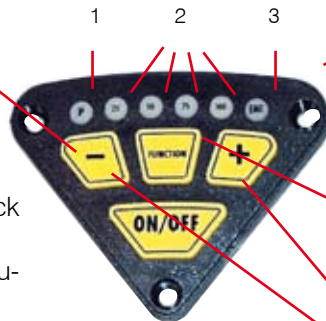
## FlashLIGHT rechargeable (10/1.2 W)

The visually very attractive FLASH-LIGHT rechargeable lamp is the ideal inspection and signal lamp for everyday industrial usage. The impact-proof casing guarantees a long service life, even in tough conditions. Thanks to the high protection rating, the FLASH-LIGHT lamps function free of faults, including in extreme conditions.

High mechanical and chemical load capacity allow them to be used even in aggressive environmental conditions. The four interchangeable colour filters included as standard are used for signal functions as well as to expand the light cone. This means that the lamps offer a wide variety of potential uses.

### The most important features

- Function buttons made from silicon rubber with Plastouch surface treatment
- 1 million uses guaranteed
- Protection rating IP 65: Lamp  
Protection rating IP 30: Wall/table station
- Robust polyamide casing (yellow) with black shutter
- Resistant to mechanical and chemical influences



### The „control panel“ with clear, robust function buttons (can also be operated with work gloves on):

- Displays
- 1 Power supply
  - 2 Charge status display/ reserve capacity
  - 3 Emergency function
- Function buttons
- Primary light, full
  - Primary light, flashing
  - Primary/secondary flashing alternately
  - Secondary light, full
- Control buttons +/-
- Infinite dimming adjustment (+/-)
  - Regulation of flashing frequency (+/-)

Primary light (10 W) and secondary light (1.2 W) with automatic safety changeover

Concentrated light cone, approx. 6°

Emergency light function on mains failure (selectable strength/ service life)

Wall/table station with integrated transformer



### Flexible charge voltages

- 11 VDC – 30 VDC

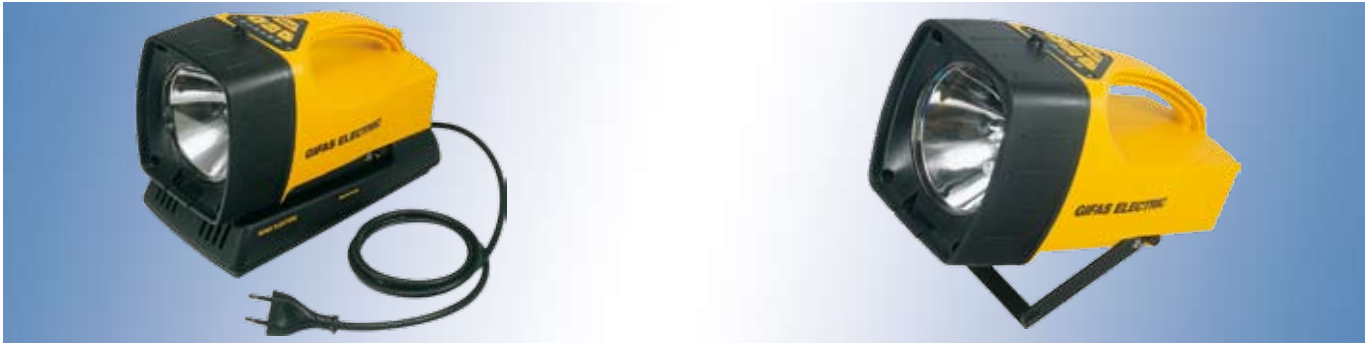
Snap-on bracket (approx. 115°) for targeted direction of the light cone

**Lamp weight:**  
approx. 2.100 kg (5 Ah)  
approx. 2.500 kg (8 Ah)

	Item 35000/35002	Item 35001/35003
<b>Maintenance-free battery*:</b>	5 Ah	8 Ah
<b>Charge time:</b>	4.5 hours	7.0 hours
<b>Service life:</b>	Primary light 2.5 h (20°) Secondary light, 20 h	Primary light 3.5 h (20°) Secondary light, 24 h

\*Pb/Sn battery, no memory effect

# FlashLIGHT rechargeable light



## FLASH-LIGHT rechargeable light (10/1.2 W)

### Standard range of FLASH-LIGHT without charger

Item	Description
235933	Battery lamp FLASH-LIGHT, 5 Ah, 10 W /1.2 W-6 V, no charger unit (wall holder), incl. accessories: Carry strap, replacement bulb 10 W / 6 V, 4 interchangeable colour filters (clear, green, red, yellow)
235934	Battery lamp FLASH-LIGHT, 8 Ah, 10 W /1.2 W-6 V, no charger unit (wall holder), incl. accessories: Carry strap, replacement bulb 10 W / 6 V, 4 interchangeable colour filters (clear, green, red, yellow)

### Compulsory accessory

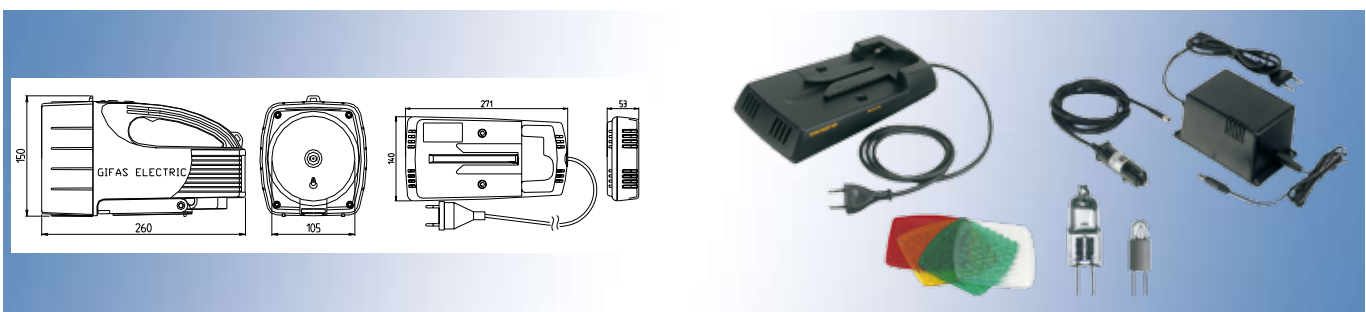
235935	Mains plug 230/18 V, 20 W, protective circuit, lead 1.5 m
--------	---

### Standard range of FLASH-LIGHT with charger

Item	Description
235930	Battery lamp FLASH-LIGHT, 5 Ah, 10 W /1.2 W-6 V, <b>no charger unit</b> (wall holder), incl. accessories: Mains lead 1.5m EURO plug, carry strap, replacement bulb 10 W / 6 V, 4 interchangeable colour filters (clear, green, red, yellow)
235932	Battery lamp FLASH-LIGHT, 8 Ah, 10 W /1.2 W-6 V, <b>no charger unit</b> (wall holder), incl. accessories: Mains lead 1.5m EURO plug, carry strap, replacement bulb 10 W / 6 V, 4 interchangeable colour filters (clear, green, red, yellow)

### Accessories/spare parts

Item	Description
235939	Wall holder (with transformer 230 V / 18 VAC)
235940	Halogen lamp 10 W / 6 V for primary light
235941	Bulb 1.2 W / 6 V / 2.54 for secondary light
235945	Carry strap
235946	Interchangeable colour filters (set of 4 discs; clear, green, red, yellow)
235942	Replacement battery 5 Ah / 6 V Pb/Sn
235944	Replacement battery 8 Ah / 6 V Pb/Sn
235947	Reflector mirror
235938	Direct charging cable 12-24 VDC, car connector, cigarette socket plug



# StabiLED ACCU tubular light



## StabiLED ACCU tubular light

Innovative light technology with increased safety is the basis of this tubular light. Enormous light output at low power consumption is the most attractive feature. Thanks to its excellent features (impact-proof and break-proof, resistant to oil and acids, self-extinguishing) the lamps have many different uses. The lamp is fitted with 5 high power LEDs and guarantees a bright, even, dazzle-free, white working light. Impact and vibration-proof, the LEDs have an extremely long service life of > 70,000h. This version can be used anywhere without a mains supply and has a light duration of > 2 hours. The spot/area light change-over is carried out via the ON switch. Grip and cap consist of insulating material with impact-damping safety edges. The transparent tube is made from break-proof polycarbonate. The lamp also offers a dazzle-free working light.

### Mains plug

Power pack with integrated safety isolating transformer and rectifier, integrated thermal protection, conforms to CE.

### Wall charger station

Casing with integrated power pack and light holder for permanent fixing and charging the **StabiLED ACCU**. Prepared for connection with a cable for 230 V.

### Technical data

LED-display:	
flashing blue =	battery is charging
blue =	maintenance charging
yellow =	position light mode lighted up
red	residual capacity <20 %
flashing red =	battery empty
Power pack	230 V~/13 V=
Safety class	II «Lamp»
Protection rating	IP55
Charging voltage	13 V with power unit

### Product features

All **StabiLED ACCU** models are fitted with high quality rechargeable batteries. These rechargeable batteries feature high energy density, excellent cycle behaviour without the traditional memory effect. Thanks to the integrated thermal fuses and electronic total discharge protection, the lamps can be used in complete safety. **The lamp protects itself!** The highly developed control electronics are built onto a SMD board. The advantage of this design is the extremely high packing density and increased mechanical resistance.

### Special features

- Long burn duration «minimum 2 hours»
- Short charge time of only 1.5 hours
- Low heat formation
- Display of operating hours
- Hardrubber tubular light with LED technology, with change-over function from area lamp or spotlight (pocket lamp function) or position light
- integrated high-power Li-Ions battery

### Standard range StabiLED ACCU

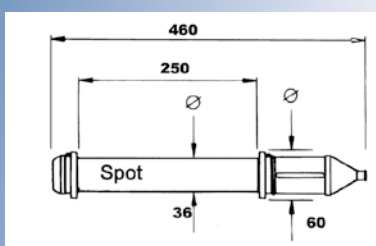
Item	Version
252107	Solid rubber tubular light „Battery operation with area lamp LED and spotlight LED without charger unit“

### Compulsory accessory:

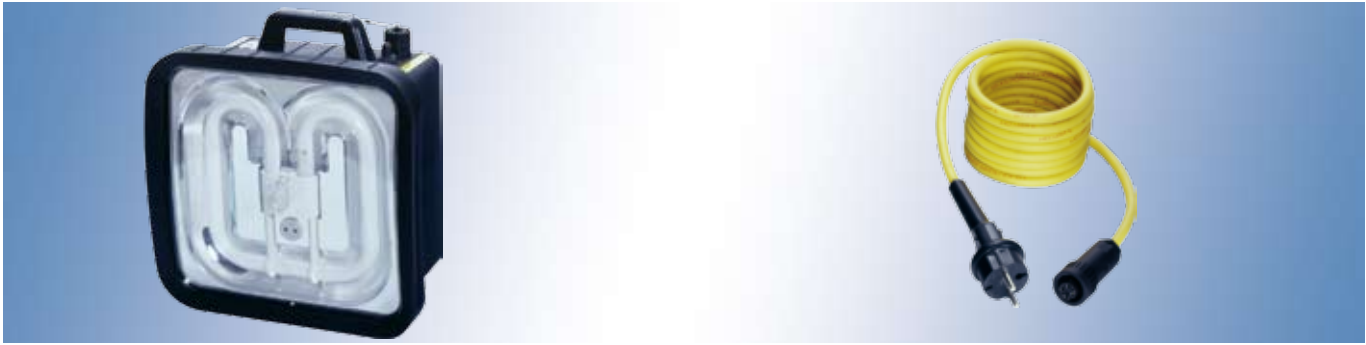
230912	Charger unit 230 / 13 V with special plug	or
235997	Wall charger 230 / 13 V	

### Accessories/spare parts

Item	Designation
105089	Magnetic holder, holding force 209 N, with clamp strap
211692	Suction holder with clamp
234271	Safety tube
210559	Rubber cap / spot
252944	Rubber grip with On/Off marking



# MULTI rechargeable light



## MULTI 38 W rechargeable lamp

The MULTI rechargeable lamp with its energy-saving fluorescent tube and a mirrored reflector generates a bright, evenly distributed light. This achieves largely dazzle-free illumination of an area in the workplace.

### Product features

The casing consists of a stable, tough plastic and is coated with high quality rubber. This means that the lamp can also be used in tough and damp environments. Thanks to an integrated rechargeable battery, mains-independent operation is possible for 3 hours. Integrated charge electronics provide maximum possible mobility. With two different connection cables, the lamp can be charged on the 230 V mains or on a 12 V cigarette lighter in a vehicle.

### Special features

- Bright, evenly distributed light for largely dazzle-free illumination in the working area
- Integrated charge electronics with protection against total discharge and overcharging
- Charge status display via LEDs
- Maintenance-free battery 7.2 Ah
- Can be charged in a vehicle via a special cable (cigarette lighter)
- Charging in a vehicle up to 100% only with engine running.
- The charge process is monitored by the charge electronics and ended automatically.
- If the lamp is connected to an external power source, a maintenance charge is carried out if required.

### Technical data

Safety class	II (total insulation)
Protection rating	IP65
Power supply	A.C. voltage 230 V/50 Hz or D.C. voltage 12 V / 24 V / 42 V
Output	7.2 Ah at 12 V / 38 W
Light output	2850 Lumen
Light duration	2.5 h

### Standard range of MULTI rechargeable lamp

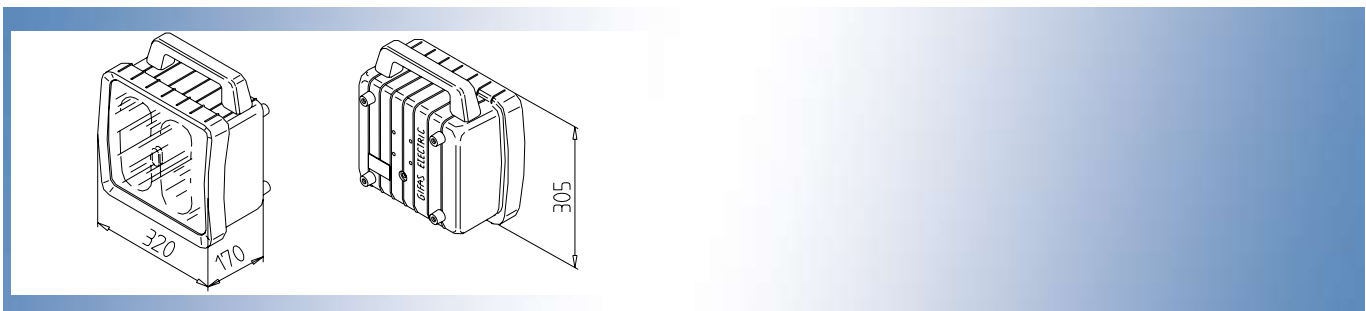
Item	Designation
238846	MULTI 38 W rechargeable lamp (excl. charger cable)

### Compulsory accessory

Item	Designation
202770	Charger and connection cable 230 V/50 Hz or
239269	Charger and connection cable 12 VDC

### Accessories/spare parts

Item	Designation
230991	Front screen
206377	Fluorescent lamp 38 W/2D
230801	Reflector
238973	Flip switch
121603	Safety cap for changeover switch
100047	Rechargeable battery



## MITRALUX L150 rechargeable hand-held searchlight



### MITRALUX long-distance lamp L150

The L150 is product of years of development work and ongoing improvements. The L150 combines the latest electronics with robust technology and easy-to-handle, functional design. The precise light constriction in the parabolic reflector made from pure aluminium, the patented rapid coupling of light head and battery part and the electronics that can be configured according to your requirements for low-loss brightness and continuous light control make the L150 a top product in the world's hand-held lamp market.

#### Product features

The MITRALUX L150 long-distance light is the indispensable companion for anyone who needs to view more objects better across large distances, whether for work or leisure. If required on full light output for a long duration (> 60 min.), we recommend the use of two or more replacement batteries.

#### Technical data

- Constricted, bright, white 55 Watt halogen light
- Full light output for 60 minutes (64,000 cd)
- Up to 3½ hours light in five adjustable power-saving levels
- Configurable microprocessor lamp control
- Simple operation with just three sensor buttons
- The maintenance-free NiCd battery is charged in 14 hours, on a mains socket, in the car, on a boat, etc.
- Excess current, temperature and total discharge protection
- Dimensions: 34x8.5x11 cm
- Weight: 2.3 kg

#### Modular design

Front part (light head) and rear part (removable battery) are connected with a hand grip only and can be separated just as easily. There is the option of working with two or more spare batteries to extend the light duration of the L150.

#### Rechargeable battery

Standard removable battery in the light: Insert the charger plug into the control unit and the „powerhouse“ of the MITRALUX L150 will be recharged. Battery-saving full charge in 14 hours on any socket and even in a car or boat. Power and temperature monitoring prevent overcharging and total discharge and thus ensure a long battery life.

#### Charging replaceable batteries

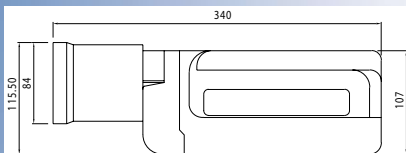
These can be charged with the relevant accessories, independently from the light itself.

#### Standard MITRALUX L150 range

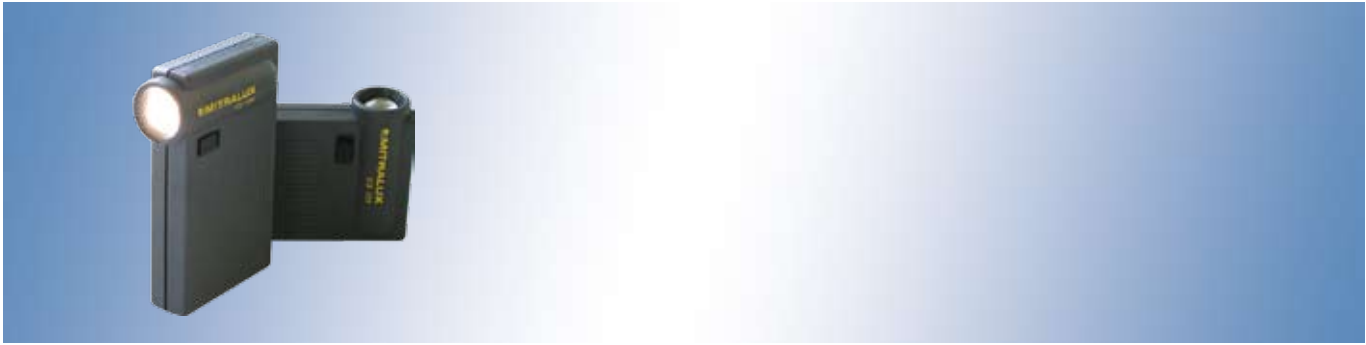
Item	Version
247191	MITRALUX long-distance light L150 Standard cpl., no accessories

#### Accessories/spare parts

Item	Designation
247672	Mains unit 230 VAC/13 VDC, 50 Hz, Euro plug., 1.8 m cable
247673	Mains unit 120 VAC/13 VDC, 60 Hz, plug, 1.8 m cable
247674	Charger cable with cig. plug 12 VDC, 1.8 m cable
247680	Replacement battery, cpl. (back section)
247681	Plug-in charger unit 230 VAC/8,7 VDC cpl. with contact plate
247682	On-board charger unit 12 VDC/8.7 VDC cpl. with contact plate
247675	Adjustable carry strap with screw lugs
247676	Wall holder
247667	Halogen lamp (H3) 6 V/55 W
247677	Safety glass, heat-resistant
247678	Screw lug for carry strap
247679	Lamp head, complete



## Battery and rechargeable battery hand-held lamps



### MITRALUX CS125 battery hand-held lamps

Lighter than a coffee cup and barely larger than a packet of cigarettes, fits not only in your bag, but also in the most delicate of hands. The first and only pocket-sized lamp, based on the successful projection technology of modern vehicle headlights.

#### Product features

All 100% of the light is projected precisely where you want it, and where you need it. The constricted beam issues a greatly restricted, circular field of even light. No loss of light, no colour edges, no shadow...nothing but brilliant white halogen light!

#### Technical data

Light source	Micro halogen lamp 5.2V/0.5A, base Px 13.5
Power source	4 alkali/manganese batteries (Mignon, IEC-LR6) or if preferred, 4 NC rechargeable batteries (type R6)
Light duration	Alkali/Mn cells: approx. 3 hours NC rechargeable batteries: approx. 1.5 hours
Illumination intensity	ø 125 Lux
Light cone	E <sub>max</sub> /1 m: ø 35 cm
Casing	ABS, impact-proof
Colour	Anthracite (dark grey)
Dimensions	W x H x D: 60/67 x 100 x 18/25 mm
Weight	144 g (with batteries)

#### Standard MITRALUX CS125 range

Item	Version
246698	MITRALUX CS125, Compact Spot TL incl. 4 alkali/Mn batteries

#### Accessories/spare parts

Item	Designation
247141	Single belt pouch
247140	Belt pouch incl. battery storage compartment
246297	Micro halogen lamp 5.2 V/500 mA
247040	Alkali/manganese battery LR6/1.5 V





# MITRALUX L140 Rechargeable battery hand-held lamps



## MITRALUX L140 rechargeable hand-held light

The easy-to-handle, robust and reliable wide-area hand-held lamp that brings even light into the darkness.

### Product features

Evenly illuminated field of vision, intensive white halogen light, maintenance-free rechargeable battery with integrated charger electronics. Three lighting angles are available.

### Technical data

Casing	Polyamide, clear yellow colour, IP54
Light source	Halogen micro projection lamp 6V/30W
Light output	765 Lumen
Wide-angle lens:	f 50 mm, field Ø = distance : 1,5
Standard lens:	f 70 mm, field Ø = distance : 2,5
Tele lens:	f 125 mm, field Ø = distance : 5,0
Light duration	2.5 hours following full charge
Rechargeable battery	rechargeable, lead/sulphuric acid basis 6V/12Ah
Battery charging	Direct charging on 12-24 VDC and 12-18 VAC. Plug-in transformers for charging on a mains socket.
Charge time	around six times usage time
Dimensions	L x W x H = 203 x 120 x 210 mm
Weight	3.4 kg

### Three beam angles to choose (see drawing below):

- **Standard lens** for over 90 percent of all applications (approx. 2 to 20 m)
- **Wide-angle lens** for close range (< 1 up to approx. 10 m)
- **Tele lens** for strong focus and distances (up to approx. 50 m)

The lenses can be changed over at any time after opening the casing.

### Standard MITRALUX L140 range

Item	Version
247092	MITRALUX L140, ECONOMY type, cpl., no accessories complete lamp, but no „extras“
247093	MITRALUX L140, RELIANCE type, cpl., no accessories: With charge display (LED in the push-button switch) which goes out when the battery is fully charged.
247094	MITRALUX L140, EMERGENCY type, cpl., no accessories: Hand-held lamp and emergency light at the same time. The lamp switches on automatically if the charge voltage is interrupted.

### Accessories

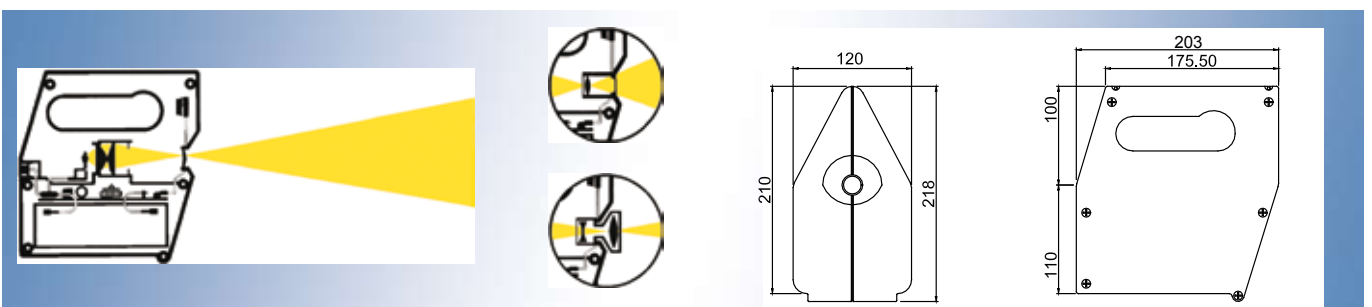
Item	Designation
247095	Carry strap, artificial fibre, with cushion, adjustable
247096	Tele lens for L140, intense concentration, up to 50 m
247097	Wide-angle lens for L140 for close-up range up to 10 m
247102	Wall holder V2A, vertical, glass-blasted
247103	Wall holder V2A, horizontal, glass-blasted

### Compulsory accessory

247098	Mains power unit 230/12 VAC, Euro plug. 1.8 m cable or
247100	Charging cable for permanent connection, 1.8 m cable or
247101	Charging cable for cigarette plug, 1.8 m cable

### Spare parts

Item	Designation
247104	Halogen projection lamp 6 V / 30 W
247105	Lead battery 6 V / 12 Ah, maintenance-free
247106	Pressure switch, cpl. for ECONOMY
247107	Pressure switch, cpl. for RELIANCE
247108	Pressure switch, cpl. for ECONOMY



# StarLED® - LED-working lamp for ambidextrous working



## StarLED® - LED-working lamp

GIFAS **StarLED®** working lamps contain the newest LED technology. 48 high power lighting diodes and a special optics guarantee a strong white light cone. By means of the breast-/shoulder belt, ambidextrous working is possible. GIFAS **StarLED®** working lamps are significant for a tough body, long lasting operation time as well as a newly developed flat and therewith lightly construction method.

The charging is effected inductive. Hereby, a secure charging is achieved without any contact-corrosion. The lamp needs only to be put into the loading station. The accumulator is protected against overcharge and total discharge by an integrated module.

A practical folding out carrying handle facilitate carrying the lamp and serves at the same time as a simple suspension. By means of an bail, the light cone can be optimally adjusted for different workings.

### Applications

Everywhere, where simultaneous ambidextrous working is needed: industry, inspection, railways, police, fire brigade, assembly work, public services, mountain rescue service, limited working areas.

### Standard range of StarLED® working lamp

Item	Designation
254991	Working lamp <b>StarLED®</b> 230V IP65, incl. charging station IP 54

### Accessories/Spare parts

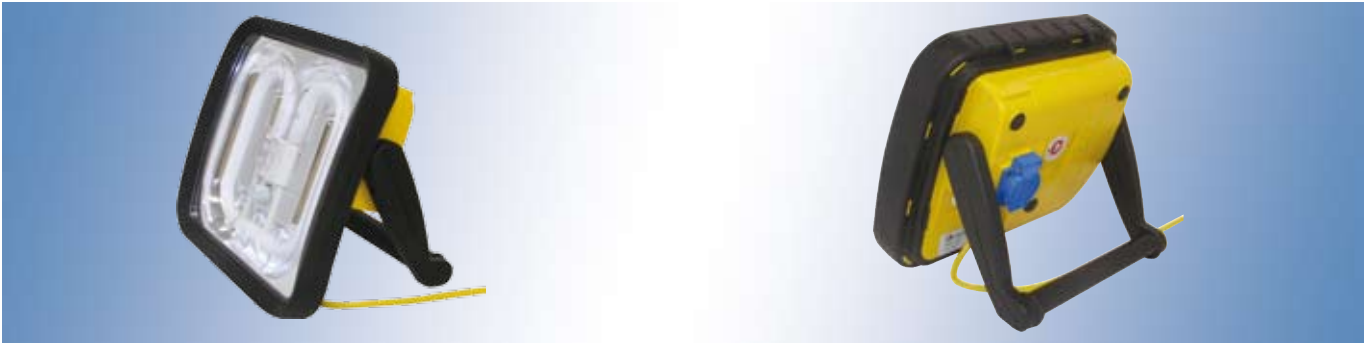
Item	Designation
255000	Charging station for inductive loading for 230 V
255001	Breast-/shoulder belt, black

### Technical data

- LED Technology: always ready for operation, no need to change the illuminant **up to 13 h ambidextrous working possible**
- **Lighting time:** **ambidextrous working possible**
- Breast-/shoulder belt: 230 V, on request 24 V or 12 V
- Power supply: no contact, means no corrosion and no mechanical transition
- Inductive charging: no memory effect protection against overcharge and total discharge
- Lithium ion accumulator: high luminosity, strong white light cone for accurate illumination
- 48 white lighting diodes: secure exit from hazard area, due to early enough warning illumination / variable operating time
- 20 minutes safety mode: emergency light function by mails failure
- 2 levels selectable 24 LED - 48 LED: height availability time
- Emergency light in charging station: dust- and hose-proof
- Short-time charging 3h/80%: for all applications
- Protection class (lamp) IP65: facilitate carrying, serves at the same time as simple suspension, optimal orientation of light cone
- Flat and light construction, weight 750 g: impact-resistant
- Practical folding out carrying handle:
- Robust casing:



## PrimaLIGHT flood light 55 W / 230 V



### PrimaLIGHT flood light 55 W

The Prima lamp is a technologically advanced, professional lamp with large light output (3900 Lumen) at low heat formation, low power consumption from a 2D compact fluorescent lamp 55 W. It guarantees optimum area illumination with a dazzle-free, evenly distributed light. It also offers different fitting options for any use: suspended, or lying lengthwise or on its end.

#### Product features

The yellow casing consists of impact-proof polycarbonate with black rubber edges as protection against knocks and impact. The carry grip is also used as a support which puts the lamp into the required position by locking into place. The lamp cover made from macrolon is also resistant to impact and knocks and seals the casing against water and dust.

#### Models

Basic model 230 VAC/55 W: IP65 / protection rating II  
 Basic model 230 VAC/55 W with built-in socket: IP54 / protection rating I

#### Technical data

Voltage	230 V
Output	55 W
Light output	3900 Lumen
Protection rating	IP65
Safety class	II
Weight	2900 g

#### Standard range of PrimaLIGHT 55 W

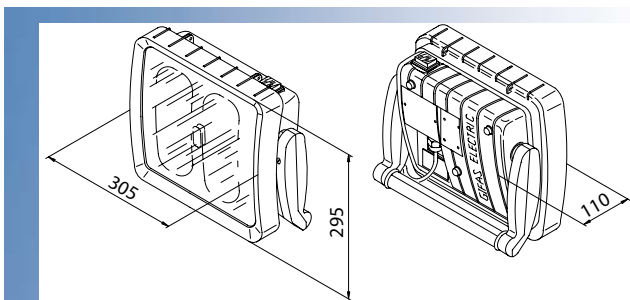
Item	Version/socket	Supply line	Plug
253897	230V / 55W safety contact	5m 3x1.5 mm <sup>2</sup>	safety contact
253899	230V / 55W safety contact	10m 3x1.5 mm <sup>2</sup>	safety contact
251939	230V / 55W / –	5m 3x1.5 mm <sup>2</sup>	contour piece
253896	230V / 55W / –	10m 3x1.5 mm <sup>2</sup>	contour piece

#### Accessories

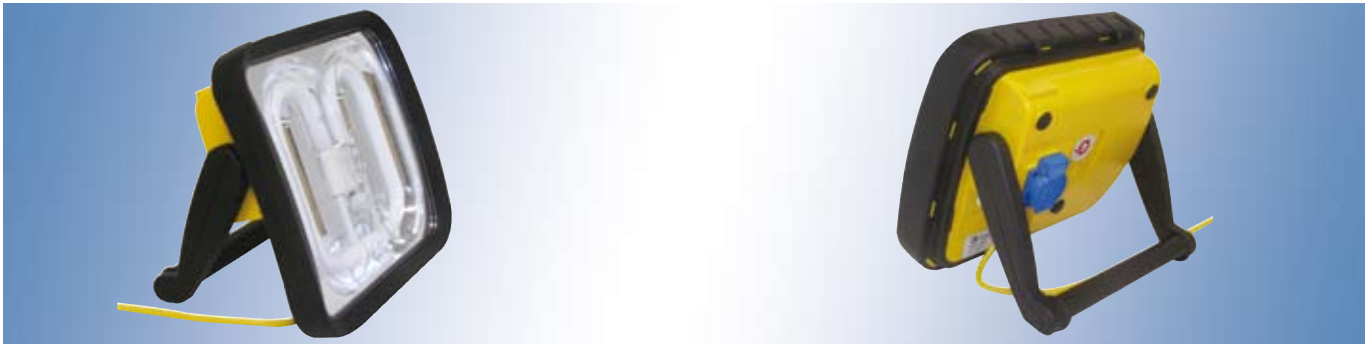
Item	Designation
208292	Retractable stand from 1000 to 3500 mm
235824	Single magnet holder with 2 holder magnets
230810	Single wall holder
231867	Single mounting bracket for stand
230811	Twofold mounting bracket for stand
230812	Fourfold mounting bracket for stand

#### Spare parts

Item	Designation
234139	55 Watt energy-saving bulb
230991	Front windscreen
230801	Reflector
230802	Hand grip
234627	Setting for energy-saving light
235185	Electronics
230909	Bracket for setting



## PrimaLIGHT flood lights 38 W



### PrimaLIGHT flood lights 38 W

The **PrimaLIGHT** is a technologically advanced, professional lamp with large light output (2850 Lumen) at low heat formation, low power consumption from a 2D compact fluorescent lamp 38 W. It guarantees optimum area illumination with a dazzle-free, evenly distributed light. It also offers different fitting options for any use: suspended, or lying lengthwise or on its end.

#### Product features

The yellow casing consists of impact-proof polycarbonate with black rubber edges as protection against knocks and impact. The carry grip is also used as a support which puts the lamp into the required position by locking into place. The lamp cover made from macrolon is also resistant to impact and knocks and seals the casing against water and dust.

#### Models

Basic model 230 VAC/38 W:	IP65 / protection rating II
Basic model 230 VAC/38 W with built-in socket:	IP54 / protection rating I
Safety low voltage 24 VAC/38 W:	IP65 / protection rating III
Safety low voltage 42 VAC/38 W:	IP65 / protection rating III
Safety low voltage 24 and 42 VAC/38 W with socket:	IP54 / protection rating I
Special model 12 VAC/38 W:	IP65 / protection rating III

#### Technical data

Voltage	230 V	230 V/socket	24/42 V
Output	38 W	38 W	38 W
Light output	2850 Lumen	2850 Lumen	2850 Lumen
Ingress protection	IP65	IP54	IP65
Safety class	II	I	III
Weight	2900 g	2900 g	2900 g

Technical data of special models 36 VAC/12VDC on request.

### Standard range of PrimaLIGHT 38 W

Item	Version/socket	Supply line	Plug
230521	230V/38W / safety cont.	5 m 3x 1.5 mm <sup>2</sup>	safety contact
230611	230V/38W / safety cont.	10 m 3x 1.5 mm <sup>2</sup>	safety contact
230515	230V/38W / -	5 m 2x 1.5 mm <sup>2</sup>	Contour
230768	230V/38W / -	10 m 2x 1.5 mm <sup>2</sup>	Contour
231334	24V/38W / CEE 2x16/24V	5 m 2x 1.5 mm <sup>2</sup>	CEE 2x16/24V
232573	24V/38W / CEE 2x16/24V	10 m 2x 1.5 mm <sup>2</sup>	CEE 2x16/24V
230697	24V/38W / -	5 m 2x 1.5 mm <sup>2</sup>	CEE 2x16/24V
230787	24V/38W / -	10 m 2x 1.5 mm <sup>2</sup>	CEE 2x16/24V
231336	42V/38W / CEE 2x16/42V	5 m 2x 1.5 mm <sup>2</sup>	CEE 2x16/42V
232004	42V/38W / CEE 2x16/42V	10 m 2x 1.5 mm <sup>2</sup>	CEE 2x16/42V
230493	42V/38W / -	5 m 2x 1.5 mm <sup>2</sup>	CEE 2x16/42V
231069	42V/38W / -	10 m 2x 1.5 mm <sup>2</sup>	CEE 2x16/42V

### Version with flip switch for switching the light on and off

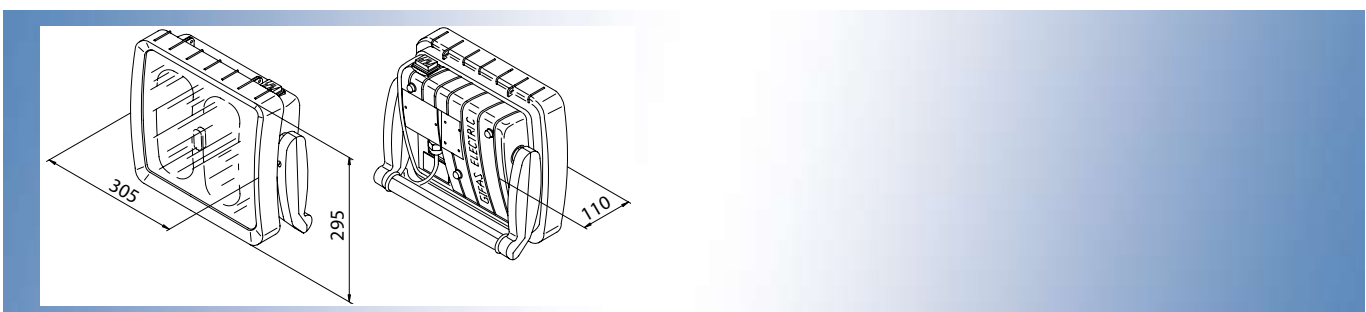
232943	230V/38W / / safety cont.	5 m 3x 1.5 mm <sup>2</sup>	safety contact
--------	---------------------------	----------------------------	----------------

#### Accessories

Item	Designation
208292	Retractable stand from 1000 to 3500 mm
235824	Single magnet holder with 2 holder magnets
230810	Single wall holder
231867	Single mounting bracket for stand
230811	Twofold mounting bracket for stand
230812	Fourfold mounting bracket for stand

#### Spare parts

Item	Designation
206377	Energy-saving lamp bulb 38 W
230991	Front screen
230801	Reflector
230802	Hand grip
231330	Electronics 24V
233171	Electronics 42V



## PrimaLIGHT flood light – options



Mobile use without extras



Mounting bracket



**Suspended use:** PRIMA lamp is also fitted with 3 ring lugs (chain, mount, etc. provided by customer)



Ceiling assembly

Wall assembly



Use on stand with fourfold mounting bracket



Magnetic holder

## PrimaLIGHT flood light with LED emergency light



### PrimaLIGHT flood light with LED emergency light

The **PrimaLIGHT** is a technologically advanced, professional lamp with large light output (2850 Lumen) at low heat formation, low power consumption from a 2D compact fluorescent lamp 38 W. It guarantees optimum area illumination with a dazzle-free, evenly distributed light. It also offers different fitting options for any use: suspended, or lying lengthwise or on its end.

#### Product features

The yellow casing consists of impact-proof polycarbonate with black rubber edges as protection against knocks and impact. The carry grip is also used as a support which puts the lamp into the required position by locking into place. The lamp cover made from macrolon is also resistant to impact and knocks and seals the casing against water and dust. High security thanks to 2 separate electronic ballasts.

#### Versions

##### Basis model:

- 230 VAC / 38 W with 2 LED-spots each with 9 LEDss ( 26 Lux at 2m distance)
- with status display, integreted charging part, On/Off-switch
- socket without protection located on the back side

The lamp is available as well with 24, 42 and 110 VAC voltage.

#### Technical data

- 2D compact fluorescent lamps 38 W – 2850 Lumen
- 2 LED blocks with 9 LEDs each with 8 Candela – 26 Lux
- LEDs are controlled by photo-cells (i.e. automatic transposition to LED in case of failure of main illuminant)
- Service life of LEDs : approx. 3 hours

- Flashing function at discharge: 20% (LEDs)
- Display of LEDs
  - green = photo-cell switched on
  - red = photo-cell switched off
  - blue (flashing) = rapid charge
  - blue (continuous) = charge maintenance
- Voltage 24, 42, 110, 230 VAC
- Microprocessor controlled electronic
- Rapid charge (max. 3 hours)
- NIMH – rechargeable battery / 2100 mA / 1,2 V (3,6 V)
- Charge maintenance (voltage controlled)
- Protection against overcharge
- Protection against depth discharge
- Temperatur sensor at rechargeable battery
- Protection rating: IPX4

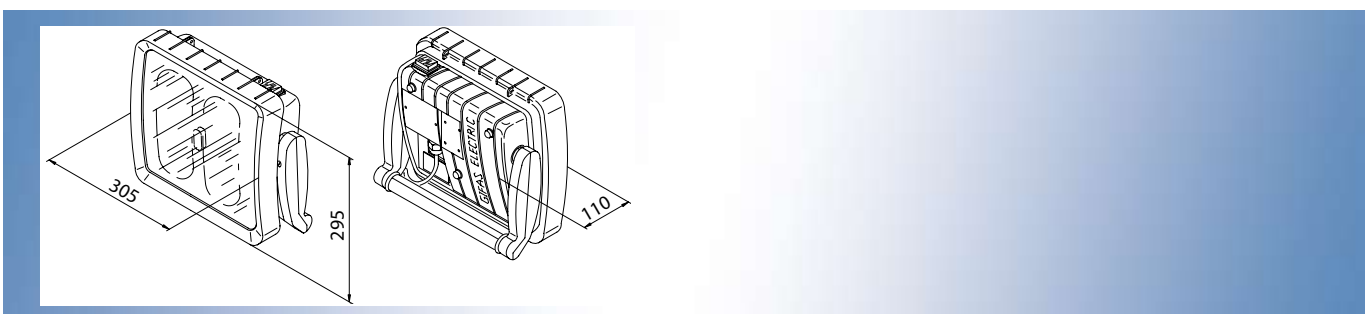
#### Standard range of PrimaLIGHT with LED emergency light

Item	Version/socket	Supply line	Plug
247495	230V/38W /safety contact	10 m 3x 1,5 mm <sup>2</sup>	safety contact
247551	24V/38W /CEE 2x16/24V	10 m 2x 1,5 mm <sup>2</sup>	CEE 2x16/24V
247552	42V/38W /CEE 2x16/42V	10 m 2x 1,5 mm <sup>2</sup>	CEE 2x16/42V

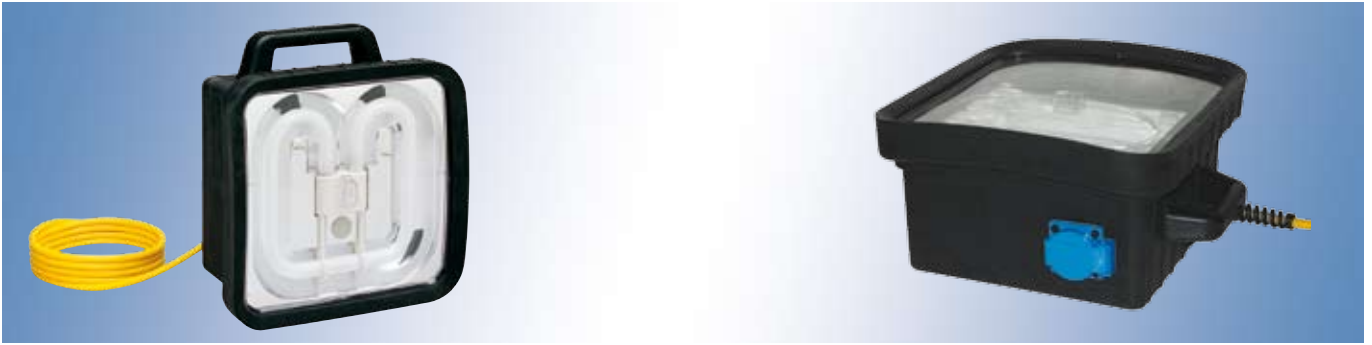
#### Accessories / Spare parts

Item	Designation
231596	Electronic ballast 230 V
231330	Electronic ballast 24 V
233171	Electronic ballast 42 V
247547	Switch Off
247491	LED board
131248	Air grille
247492	Rechargeable battery pack
247492	Control 230 V charge and discharge unit
247548	Control 24 V charge and discharge unit
247549	Control 48 V charge and discharge unit

Further spare parts see „PRIMA-LIGHT“ page 12.



## MULTI 55 W / 230 V workplace light



### MULTI 55 W

The MULTI workplace light is a very special, fully developed and professional lamp for industry and trades. With its excellent light output (3900 lm) with very low heat formation, it is designed for very special applications. It guarantees maximum area illumination with a dazzle-free, strong and bright white light. Various setup options ensure that its suitable for a wide range of applications.

#### Models

Basic model 230 VAC/55 W IP 65 / protection rating II  
 Models with socket IP 54

#### Product features

The black casing consists of polycarbonate with rubber coating; the edges are also reinforced on the edges. A convenient handle makes it easy to carry and can also be used to hang it up. The lamp cover made from macrolon is resistant to impact and knocks and seals the casing against water and dust. And not forgetting the low power consumption of just 55 Watt (energy-saving lamp).

#### Technical data

Versions: 230 V  
 Output: 55 W  
 Light output: 3900 Lumen  
 Dimensions: HxWxD = 170x305x320 mm  
 Weight: 3500 to approx. 3800 g

#### Standard range of MULTI 230V / 55W workplace lights

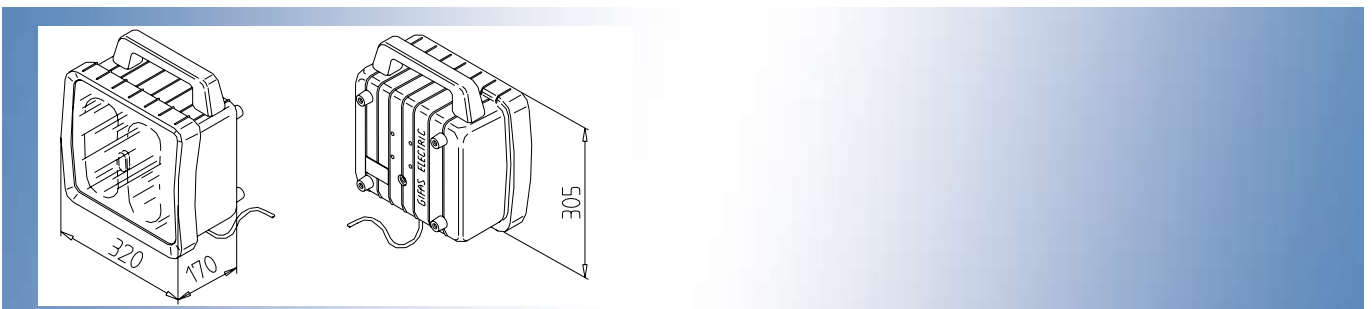
Item	Version	Supply line	Sockets	Mounting	Plug
234626	230V / 55W	5m 2x1.5 mm <sup>2</sup>	–	–	Safety contact
234754	230V / 55W	10m 2x1.5 mm <sup>2</sup>	–	–	Safety contact
253901	230V / 55W	5m 2x1.5 mm <sup>2</sup>	–	4 holder magnets	Safety contact
253903	230V / 55W	10m 2x1.5 mm <sup>2</sup>	–	4 holder magnets	Safety contact
253909	230V / 55W	5m 2x1.5 mm <sup>2</sup>	–	Mounting bracket	Safety contact
253910	230V / 55W	10m 2x1.5 mm <sup>2</sup>	–	Mounting bracket	Safety contact
253945	230V / 55W	5m 3x1.5 mm <sup>2</sup>	Safety contact	–	Safety contact
253950	230V / 55W	10m 3x1.5 mm <sup>2</sup>	Safety contact	–	Safety contact
253951	230V / 55W	5m 3x1.5 mm <sup>2</sup>	Safety contact	4 holder magnets	Safety contact
253953	230V / 55W	10m 3x1.5 mm <sup>2</sup>	Safety contact	4 holder magnets	Safety contact
253952	230V / 55W	5m 3x1.5 mm <sup>2</sup>	Safety contact	Mounting bracket	Safety contact
253954	230V / 55W	10m 3x1.5 mm <sup>2</sup>	Safety contact	Mounting bracket	Safety contact

#### Spare parts for MULTI - 55W work light

Item	Designation
234139	Energy-saving lamp bulb 55 W
230991	Front windscreen
235279	Reflector
234627	Setting for energy-saving light
209424	Holder for energy-saving light

#### Accessories for MULTI - 55W work light

Item	Designation
208292	Retractable stand from 1000 to 3500 mm
236484	Twofold stand bracket for lights with fixing bracket
236744	Fixing bracket
249230	Electronic ballast
114602	Magnetic clamp, magnetic force 209N



## MULTI - 72 W / 230 V workplace light



### MULTI - 72 W

The MULTI 865 workplace light is a very special, advanced and professional light for trade and industry. With its significant light output (2x2800 lm) with very low heat formation, it is designed for very special applications. It guarantees maximum area illumination with a dazzle-free, strong and bright white light. Various setup options ensure that its suitable for a wide range of applications.

#### Models

Basic model 230 VAC/2x38 W:	IP 65 / protection class II
Basic model 24 VAC/2x36 W	IP 65 / protection class II*
Basic model 42 VAC/2x36 W	IP 65 / protection class II*
Models with socket	IP 54

\*) operation with transformer 24-42/230 V and EVG 230 V

#### Product features

The black casing consists of polycarbonate with rubber coating; the edges are also reinforced on the edges. A convenient handle makes it easy to carry and can also be used to hang it up. The lamp cover made from macrolon is resistant to impact and knocks and seals the casing against water and dust. And not forgetting the low power consumption of just 72 Watt (energy-saving lamp).

#### Technical data

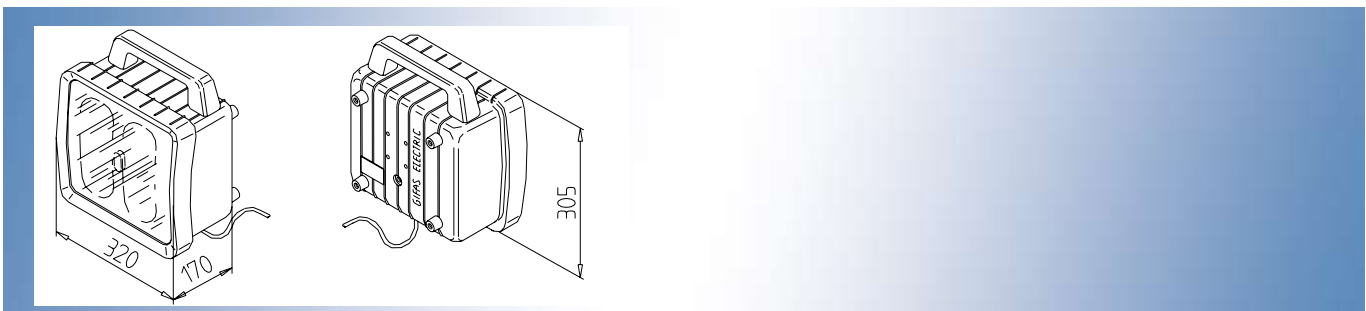
Versions:	230 V, 42 VAC, 24 VAC
Output:	2x36 W
Light output:	2x2800 lm
Dimensions:	HxWxD = 170x305x320 mm
Weight:	3500 to approx. 3800 g

#### Standard range of MULTI 865 - 72 W 230 V workplace lights

Item	Version	Supply line	Sockets	Mounting	Plug
235417	230 V / 2 x 36 W	5 m 2 x 1.5 mm <sup>2</sup>	–	–	Contour plug
235418	230 V / 2 x 36 W	10 m 2 x 1.5 mm <sup>2</sup>	–	–	Contour plug
236731	230 V / 2 x 36 W	5 m 2 x 1.5 mm <sup>2</sup>	–	4 holder magnets	Contour plug
236014	230 V / 2 x 36 W	10 m 2 x 1.5 mm <sup>2</sup>	–	4 holder magnets	Contour plug
236748	230 V / 2 x 36 W	5 m 2 x 1.5 mm <sup>2</sup>	–	Mounting bracket	Contour plug
236456	230 V / 2 x 36 W	10 m 2 x 1.5 mm <sup>2</sup>	–	Mounting bracket	Contour plug
235592	230 V / 2 x 36 W	5 m 3 x 1.5 mm <sup>2</sup>	Safety contact socket	–	Safety contact plug
235548	230 V / 2 x 36 W	10 m 3 x 1.5 mm <sup>2</sup>	Safety contact socket	–	Safety contact plug
236583	230 V / 2 x 36 W	5 m 3 x 1.5 mm <sup>2</sup>	Safety contact socket	4 holder magnets	Safety contact plug
236584	230 V / 2 x 36 W	10 m 3 x 1.5 mm <sup>2</sup>	Safety contact socket	4 holder magnets	Safety contact plug
236483	230 V / 2 x 36 W	5 m 3 x 1.5 mm <sup>2</sup>	Safety contact socket	Mounting bracket	Safety contact plug
236401	230 V / 2 x 36 W	10 m 3 x 1.5 mm <sup>2</sup>	Safety contact socket	Mounting bracket	Safety contact plug

#### Accessories for MULTI 865 workplace light

Item	Designation
114602	Holder magnet, holding force 209 N
236744	Mounting bracket
236484	Twofold stand bracket for lights with fixing bracket
208292	Retractable stand from 1000 to 3500 mm





## MULTI - 72 W / 24 und 42 V workplace light



### Standard range of MULTI 24 V / 42 V work lights

Item	Version	Supply line	Sockets	Mounting	Plug
235422	24 V / 2 x 36 W	5 m 2 x 1.5 mm <sup>2</sup>	–	–	CEE 2x16 A/24 V
235425	24 V / 2 x 36 W	10 m 2 x 1.5 mm <sup>2</sup>	–	–	CEE 2x16 A/24 V
237813	24 V / 2 x 36 W	5 m 2 x 1.5 mm <sup>2</sup>	–	4 holder magnets	CEE 2x16 A/24 V
237814	24 V / 2 x 36 W	10 m 2 x 1.5 mm <sup>2</sup>	–	4 holder magnets	CEE 2x16 A/24 V
237818	24 V / 2 x 36 W	5 m 2 x 1.5 mm <sup>2</sup>	–	Mounting bracket	CEE 2x16 A/24 V
237380	24 V / 2 x 36 W	10 m 2 x 1.5 mm <sup>2</sup>	–	Mounting bracket	CEE 2x16 A/24 V
235593	24 V / 2 x 36 W	5 m 2 x 2.5 mm <sup>2</sup>	CEE 2x16 A/24 V	–	CEE 2x16 A/ 24 V
235706	24 V / 2 x 36 W	10 m 2 x 2.5 mm <sup>2</sup>	CEE 2x16 A/24 V	–	CEE 2x16 A/ 24 V
237815	24 V / 2 x 36 W	5 m 2 x 2.5 mm <sup>2</sup>	CEE 2x16 A/24 V	4 holder magnets	CEE 2x16 A/ 24 V
237816	24 V / 2 x 36 W	10 m 2 x 2.5 mm <sup>2</sup>	CEE 2x16 A/24 V	4 holder magnets	CEE 2x16 A/ 24 V
237819	24 V / 2 x 36 W	5 m 2 x 2.5 mm <sup>2</sup>	CEE 2x16 A/24 V	Mounting bracket	CEE 2x16 A/ 24 V
237820	24 V / 2 x 36 W	10 m 2 x 2.5 mm <sup>2</sup>	CEE 2x16 A/24 V	Mounting bracket	CEE 2x16 A/ 24 V
235421	42 V / 2 x 36 W	5 m 2 x 1.5 mm <sup>2</sup>	–	–	CEE 2x16 A/ 42 V
235420	42 V / 2 x 36 W	10 m 2 x 1.5 mm <sup>2</sup>	–	–	CEE 2x16 A/ 42 V
237821	42 V / 2 x 36 W	5 m 2 x 1.5 mm <sup>2</sup>	–	4 holder magnets	CEE 2x16 A/ 42 V
236020	42 V / 2 x 36 W	10 m 2 x 1.5 mm <sup>2</sup>	–	4 holder magnets	CEE 2x16 A/ 42 V
237406	42 V / 2 x 36 W	5 m 2 x 1.5 mm <sup>2</sup>	–	Mounting bracket	CEE 2x16 A/ 42 V
237221	42 V / 2 x 36 W	10 m 2 x 1.5 mm <sup>2</sup>	–	Mounting bracket	CEE 2x16 A/ 42 V
235594	42 V / 2 x 36 W	5 m 2 x 2.5 mm <sup>2</sup>	CEE 2x16 A/42 V	–	CEE 2x16 A/ 42 V
235709	42 V / 2 x 36 W	10 m 2 x 2.5 mm <sup>2</sup>	CEE 2x16 A/42 V	–	CEE 2x16 A/ 42 V
236052	42 V / 2 x 36 W	5 m 2 x 2.5 mm <sup>2</sup>	CEE 2x16 A/42 V	4 holder magnets	CEE 2x16 A/ 42 V
237822	42 V / 2 x 36 W	10 m 2 x 2.5 mm <sup>2</sup>	CEE 2x16 A/42 V	4 holder magnets	CEE 2x16 A/ 42 V
236791	42 V / 2 x 36 W	5 m 2 x 2.5 mm <sup>2</sup>	CEE 2x16 A/42 V	Mounting bracket	CEE 2x16 A/ 42 V
237220	42 V / 2 x 36 W	10 m 2 x 2.5 mm <sup>2</sup>	CEE 2x16 A/42 V	Mounting bracket	CEE 2x16 A/ 42 V

### Spare parts for MULTI workplace light

Item	Designation		
209422	Energy-saving lamp bulb 36 W	237099	Toroidal core transformer
230991	Front screen	247796	„Electronic“ EVG 230 V
235279	Reflector	209423	Setting for energy-saving lamp 36 W
247792	Reflector for multifunction light 865, complete, pre-fitted with setting and lamp holder for energy-saving bulb 36 W / 230 V	209424	Holder for energy-saving lamp 36 W



## MULTI 870 workplace light



### MULTI 870

The MULTI 870 workplace light is a robust floor-standing industrial lamp with polycarbonate hood. It guarantees optimum area illumination and is available with halogen lamps in 75 W and 150 W. For connection, there is a choice of a 24 V or 42 V solid rubber CEE plug. The lamp body consists of impact-proof solid rubber with ergonomically shaped handle.

#### Product features

- Break-proof industrial lamp made from self-extinguishing solid rubber and polycarbonate hood
- Powerful light with broad distribution range
- High mechanical load capacity
- Ergonomic carrying handle
- GIFAS Proflex 07 cable
- Wall and ceiling mounting via 4 magnets or suspension lugs with chain possible

#### Technical data

Versions:	230 V, 42 VAC, 24 VAC
Output:	75 / 150 W
Light output:	2x2800 lm
Ingress protection :	IP 54
Protection class:	III
Dimensions:	HxWxD = 170x305x320 mm
Weight:	2.5 kg

Models with mounting bracket, holder magnet and additional socket also available. Same as work light Multi 865. Other versions on request.

#### Standard range of workplace light MULTI 870

Item	Version	Mains lead	Plug
233399	24 V/75 W	10 m 2 x 1.5 mm <sup>2</sup>	CEE 2x16 A/24 V
233398	42 V/75 W	10 m 2 x 1.5 mm <sup>2</sup>	CEE 2x16 A/42 V
233396	24 V/150 W	10 m 2 x 1.5 mm <sup>2</sup>	CEE 2x16 A/24 V
232134	42 V/150 W	10 m 2 x 1.5 mm <sup>2</sup>	CEE 2x16 A/42 V

#### Spare parts for workplace light MULTI 870

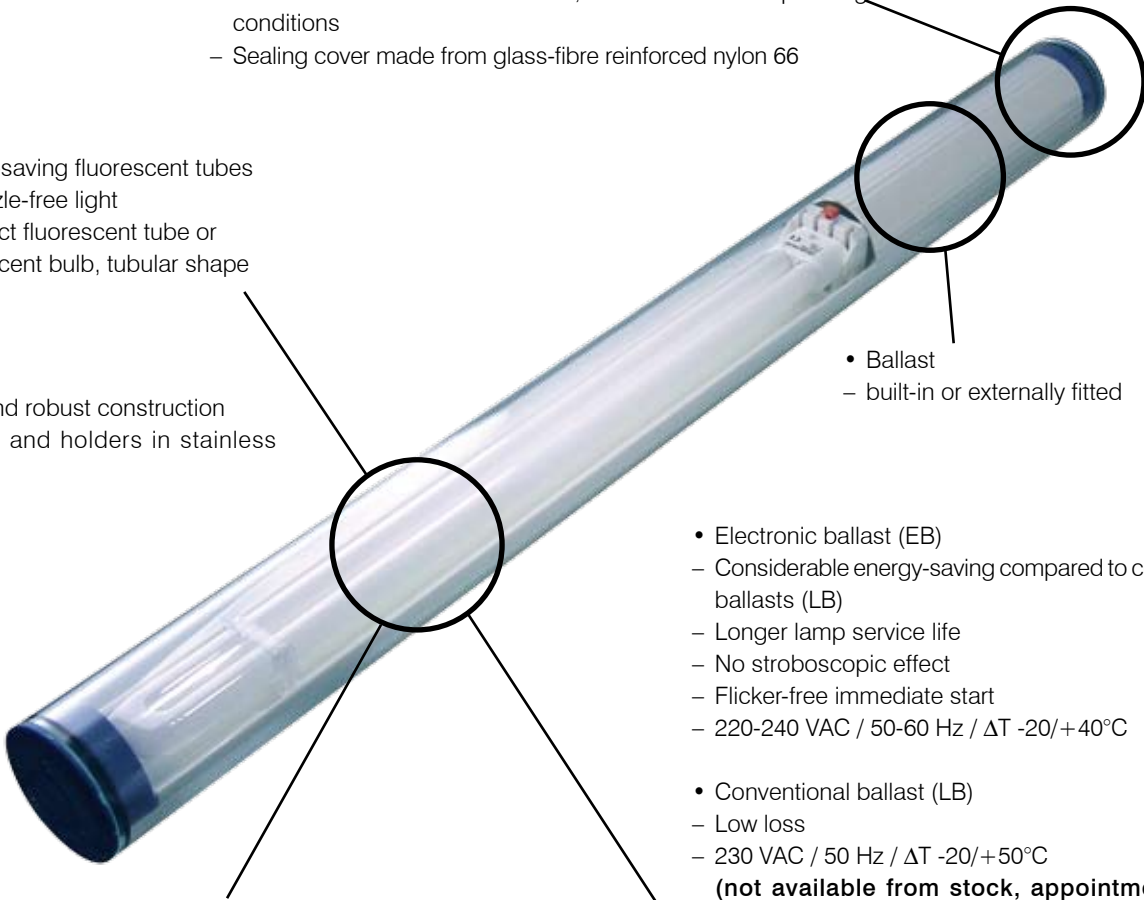
Item	Designation
124019	Halogen lamp with bayonet socket 75 W/24 V
202822	Halogen lamp with bayonet socket 75 W/42 V
128803	Halogen lamp with bayonet socket 150 W/24 V
128804	Halogen lamp with bayonet socket 150 W/42 V
123824	Setting for halogen lamp BA 15d
232194	Reflector
232192	Polycarbonate hood



## HPM safety tubular lights

**HPM safety tubular light** The safety tubular light HPM was developed for mounting onto or installation into machines. It is also suitable for lighting switchgear systems and control panels. Other uses include wet rooms, tunnels, alcoves, drainage systems, water reservoirs, etc. The safety tube light provides dazzle-free light. Thanks to its high protection rating, it also functions without faults and requiring no maintenance under extreme conditions. Versions are available with the lamp body made from Polymethacrylat and borosilicate glass. The ballasts (EB or LB) are integrated or can be fitted externally.

### The most important features

- 
- Ingress protection IP 67 – dust- and water-tight
    - Fault-free and maintenance-free, even in extreme operating conditions
    - Sealing cover made from glass-fibre reinforced nylon 66
  - Energy-saving fluorescent tubes for dazzle-free light
    - Compact fluorescent tube or
    - Fluorescent bulb, tubular shape
  - Solid and robust construction
    - Screws and holders in stainless steel
  - Ballast
    - built-in or externally fitted
  - Electronic ballast (EB)
    - Considerable energy-saving compared to conventional ballasts (LB)
    - Longer lamp service life
    - No stroboscopic effect
    - Flicker-free immediate start
    - 220-240 VAC / 50-60 Hz /  $\Delta T$  -20/+40°C
  - Conventional ballast (LB)
    - Low loss
    - 230 VAC / 50 Hz /  $\Delta T$  -20/+50°C
    - (not available from stock, appointment on request)**
  - Lamp made from polymethacrylat (impact-proof) or borosilicate glass (Ø 70 mm)
    - Resistant to chemical and mechanical influences
  - Large selection of different
    - Outputs (W)
    - Lengths (mm)
    - Voltages (V)

## HPM safety tubular light



### HPM range safety tubular lights

Item	Voltage	Output	Ballast <sup>1)</sup>	Tube type	Length	Item Replacement	tube
236170	Tubular shape	230 VAC	18 W	LB integrated	Polymethacrylat	938 mm	243075
236171	Tubular shape	230 VAC	36 W	LB integrated	Polymethacrylat	1548 mm	243076
236172	Tubular shape	230 VAC	58 W	LB integrated	Polymethacrylat	1928 mm	234077
236173	Tubular shape	230 VAC	18 W	LB integrated	Glass tube	938 mm	237699
236174	Tubular shape	230 VAC	36 W	LB integrated	Glass tube	1548 mm	237700
236175	Tubular shape	230 VAC	58 W	LB integrated	Glass tube	1928 mm	237701
236165	Tubular shape	230 VAC	18 W	EB integrated	Polymethacrylat	967 mm	243074
236166	Tubular shape	230 VAC	36 W	EB integrated	Polymethacrylat	1577 mm	239380
236167	Tubular shape	230 VAC	58 W	EB integrated	Polymethacrylat	1874 mm	243070
235991	Tubular shape	230 VAC	18 W	EB integrated	Glass tube	967 mm	237702
236168	Tubular shape	230 VAC	36 W	EB integrated	Glass tube	1577 mm	237703
236169	Tubular shape	230 VAC	58 W	EB integrated	Glass tube	1874 mm	237704
236196	Compact	230 VAC	11 W	LB integrated	Polymethacrylat	440 mm	243073
236197	Compact	230 VAC	18 W	LB integrated	Polymethacrylat	526 mm	238259
236198	Compact	230 VAC	24 W	LB integrated	Polymethacrylat	626 mm	243072
236199	Compact	230 VAC	36 W	LB integrated	Polymethacrylat	720 mm	242179
236200	Compact	230 VAC	11 W	LB integrated	Glass tube	440 mm	243066
236201	Compact	230 VAC	18 W	LB integrated	Glass tube	526 mm	237721
236202	Compact	230 VAC	24 W	LB integrated	Glass tube	626 mm	237722
236203	Compact	230 VAC	36 W	LB integrated	Glass tube	720 mm	237296
235992	Compact	230 VAC	11 W	EB integrated	Polymethacrylat	330 mm	238574
235994	Compact	230 VAC	18 W	EB integrated	Polymethacrylat	463 mm	238575
236164	Compact	230 VAC	24 W	EB integrated	Polymethacrylat	651 mm	243067
235971	Compact	230 VAC	36 W	EB integrated	Polymethacrylat	745 mm	237422
235995	Compact	230 VAC	55 W	EB integrated	Polymethacrylat	867 mm	240650
235966	Compact	230 VAC	11 W	EB integrated	Glass tube	330 mm	237186
235967	Compact	230 VAC	18 W	EB integrated	Glass tube	463 mm	237718
235968	Compact	230 VAC	24 W	EB integrated	Glass tube	651 mm	237719
235969	Compact	230 VAC	36 W	EB integrated	Glass tube	745 mm	237720
235970	Compact	230 VAC	55 W	EB integrated	Glass tube	867 mm	243064
236241	Compact	24 VAC	18 W	EB 24 VAC integrated	Polymethacrylat	526 mm	238259
236242	Compact	24 VAC	24 W	EB 24 VAC integrated	Polymethacrylat	626 mm	243072
236243	Compact	24 VAC	36 W	EB 24 VAC integrated	Polymethacrylat	720 mm	242179
236244	Compact	24 VAC	55 W	EB 24 VAC integrated	Polymethacrylat	842 mm	240342
236245	Compact	24 VAC	18 W	EB 24 VAC integrated	Glass tube	526 mm	237721
236246	Compact	24 VAC	24 W	EB 24 VAC integrated	Glass tube	626 mm	237722
236247	Compact	24 VAC	36 W	EB 24 VAC integrated	Glass tube	720 mm	237296
236248	Compact	24 VAC	55 W	EB 24 VAC integrated	Glass tube	842 mm	243064
236249	Compact	24 VDC	18 W	EB 24 VDC integrated	Polymethacrylat	526 mm	238259
236250	Compact	24 VDC	24 W	EB 24 VDC integrated	Polymethacrylat	626 mm	243072
236251	Compact	24 VDC	36 W	EB 24 VDC integrated	Polymethacrylat	720 mm	242179
236252	Compact	24 VDC	55 W	EB 24 VDC integrated	Polymethacrylat	842 mm	240342
236253	Compact	24 VDC	18 W	EB 24 VDC integrated	Glass tube	526 mm	237721
236254	Compact	24 VDC	24 W	EB 24 VDC integrated	Glass tube	626 mm	237722
236255	Compact	24 VDC	36 W	EB 24 VDC integrated	Glass tube	720 mm	237296
236257	Compact	24 VDC	55 W	EB 24 VDC integrated	Glass tube	842 mm	243064

<sup>1)</sup> EB = Electronic ballast / LB = Low-loss ballast

Versions for external ballasts with/without starter on request.

All versions are also available as special models for through-wiring.

When submitting queries and orders, please include the item reference with the note „+through-wiring“.



## HPM Compact safety tubular lights with integrated ballast



### HPM Compact range safety tubular lights

The tubular light HPM Compact was developed also for mounting onto or installation into smaller machines. Thanks to the fact, that the electronic ballast (EB) is situated behind the illuminant, the complete width of the casing serves as a luminous body. This tubular light is available in different executions.

#### Standard range of Safety tubular light HPM Compact (without supply line)

Item	Type	Execution	Dimension LxØ
256205	975KW18CE230M	18 W / 230 V	339 x 70 mm
255921	975KW24CE230G	24 W / 230 V	440 x 70 mm
255922	975KW36CE230G	36 W/230 V	550 x 70 mm
256568	975KW55CE230M	55 W/230 V	655 x 70 mm

All tubular lights are available with the lamp body made from Polymethacrylat and borosilicate glass.

#### Product features

##### Short version:

- equipment of smaller machines possible
- illumination of the full area

##### Protection rating IP 67:

- dust- and water-tight
- fault-free and maintenance-free, even in extreme operating conditions
- safety-insulated

##### Lamp body made from polymethacrylat or borosilicate glass:

- impact-proof
- resistant against acids, bases and bore oil

##### 11 – 55 Watt:

- the optimal illumination for each application

##### Energy-saving fluorescent tubes:

- for dazzle-free light

##### Electronic ballast 230 VAC

- flicker-free immediate start, no stroboscopic effect
- long lifetime, because it is mounted below the illuminant

##### Applications:

- machine tools, tunnels, wet rooms, canalisation, weirs, etc.

## Safety tubular lights HPM



Assembly  
Item 235973

Wall mounting - type 1  
Item 235974

Wall mounting - type 2  
Item 235972

Positioning bracket  
Type 2  
Item 235975

Positioning bracket  
Type 1  
Item 235976

## Safety tubular lights HPM

### Spare parts

Item	Designation
237231	Tubular shape / 18 W
237613	Tubular shape / 36 W
237614	Tubular shape / 58 W
237622	Compact / 11 W
237615	Compact / 18 W
237616	Compact / 24 W
237617	Compact / 36 W
237618	Compact / 55 W
231330	Electronic ballast 18-36 W 24 VAC
242473	Electronic ballast 18-36 W 24 VDC
233171	Electronic ballast 18-36 W 48 VAC
257439	Electronic ballast 18-36 W 48 VDC
237765	Electronic ballast 230 VAC / 11 W
237635	Electronic ballast 230 VAC / 18 W
237766	Electronic ballast 230 VAC / 24 W
237636	Electronic ballast 230 VAC / 36 W
249230	Electronic ballast 230 VAC / 58 W
238147	Low-loss ballast 230 VAC / 58 W

### Accessories (rust-free)

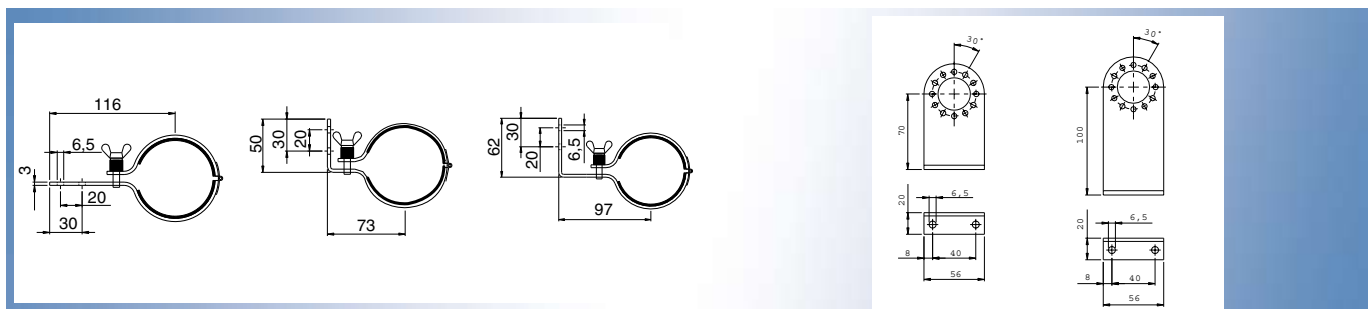
Item	Designation
235973	Holder A2, straight attachment fitting
235974	Holder A2, wall fitting, type 1
235972	Holder A2, wall fitting, type 2
235976	Holder A2, positioning bracket, type 1
235975	Holder A2, positioning bracket, type 2

## Safety tubular light power module:

As the main component of a power module, two rotating safety tube lamps form a combination of power supply and air connection. This product - developed for airplane construction - was produced in collaboration with customers. Naturally it can also be modified for your specific application.



Length without bracket: see range overview



## StabiLED tubular Light



**StabiLED tubular light** Innovative lighting technology with increased safety is the basis of the **StabiLED** tubular light range. Enormous light output at low power consumption is the most attractive feature. The LEDs used also feature a very long service life thanks to the innovative LED technology.

Thanks to the excellent features (resistant to knocks and impact, oils and acids, self-extinguishing, etc.), these lights have many different uses. Also of note is the price/usage ratio with the long service life.

The **StabiLED** tubular lights are constructed and tested to the latest standards (IEC 598).

### Product features

The lamp is fitted with 6 high power LEDs and guarantees a bright, even, dazzle-free, white working light. Impact and vibration-proof, the LEDs have an extremely long service life of > 70,000h.

Grip and cap consist of insulating material with impact-damping safety edges. The transparent tube is made from break-proof polycarbonate. The light offers dazzle-free working light, practical suspension device with rotating hook and integrated electronics with safety module.

### Technical data

#### Dimensions

A	B	D1	D2	Weight (without cable)
500	250	36	43	250 g

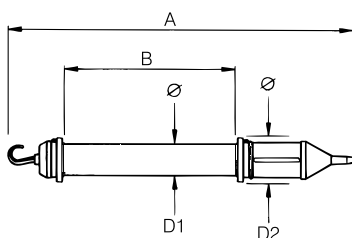
Ingress protection	IP55
Safety class	II / III

### Standard range of tubular light **StabiLED**

Item	Version	Supply line	Plug
256735	24V	5m 2x1.0mm <sup>2</sup>	CEE 16 / 24 V
256738	24V	10m 2x1.0mm <sup>2</sup>	CEE 16 / 24 V
256737	42V	5m 2x1.0mm <sup>2</sup>	CEE 16 / 42 V
256739	42V	10m 2x1.0mm <sup>2</sup>	CEE 16 / 42 V
256733	230V	5m 2x1.0mm <sup>2</sup>	Contour plug
256734	230V	10m 2x1.0mm <sup>2</sup>	Contour plug

### Spare parts

Item	Designation
256731	Electronics for 24V, incl. LED
253424	Electronics for 42V
253423	Electronics for 230V
234271	Safety tube for 24 / 42 and 230 V
124935	Rubber cap with hook
253944	Rubber grip with On/Off control
240064	Grip clamp for hose clip



## StabiLIGHT



### StabiLIGHT with 18 W, 36 W

Innovative lighting technology with increased safety is the basis of the «DULUX» tubular light range. Enormous light output at low power consumption is the most attractive feature. The lights used also feature a very long service life (for all values, see table). Thanks to the excellent features (resistant to knocks and impact, oils and acids, self-extinguishing, etc.), these lights have many different uses. The price/usage ratio is also worth noting. The DULUX tubular lights are constructed and tested to the latest standards (IEC 598).

#### Product features

Grip and cap consist of insulating material with impact-damping safety edges. The transparent tube is made from break-proof polycarbonate. The light offers dazzle-free working light, practical suspension device with rotating hook and integrated electronics with safety module.

#### Technical data

##### Dimensions

Watt	A	B	D1	D2	Weight (without cable)
18	500	230	50	75	600 g
36	1100	830	50	75	1,100 g

#### Light data for DULUX compact fluorescent lamp

Type	Length	Setting	Lumen	Kelvin	Colour	Type
18 W	225	2G11	1200	4000	21	L
36 W	535	2G11	3500	4000	21	L

Ingress protection IP55

Safety class II

#### Standard range of StabiLIGHT

Item	Version	Supply line	Plug
208019	24 V/18 W	5 m 2 x 1.0 mm <sup>2</sup>	CEE 16/24 V
208018	24 V/18 W	10 m 2 x 1.0 mm <sup>2</sup>	CEE 16/24 V
208017	42 V/18 W	5 m 2 x 1.0 mm <sup>2</sup>	CEE 16/42 V
208016	42 V/18 W	10 m 2 x 1.0 mm <sup>2</sup>	CEE 16/42 V
208015	230 V/18 W	5 m 2 x 1.0 mm <sup>2</sup>	Contour plug
208013	230 V/18 W	10 m 2 x 1.0 mm <sup>2</sup>	Contour plug
208012	24 V/36 W	5 m 2 x 1.0 mm <sup>2</sup>	CEE 16/24 V
208011	24 V/36 W	10 m 2 x 1.0 mm <sup>2</sup>	CEE 16/24 V
208010	42 V/36 W	5 m 2 x 1.0 mm <sup>2</sup>	CEE 16/42 V
208008	42 V/36 W	10 m 2 x 1.0 mm <sup>2</sup>	CEE 16/42 V
208007	230 V/36 W	5 m 2 x 1.0 mm <sup>2</sup>	Contour plug
207341	230 V/36 W	10 m 2 x 1.0 mm <sup>2</sup>	Contour plug

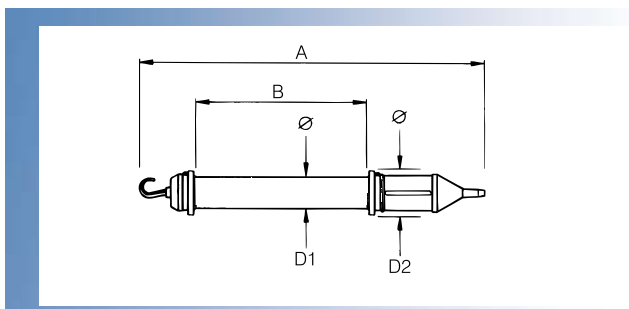
Other versions available on request

#### Spare parts

Item	Designation
232311	Electronics for 18 W / 230 V
232313	Electronics for 36 W / 230 V
210791	Compact fluorescent lamp 18 W/230 V
209601	Compact fluorescent lamp 36 W/230 V
211640	Replacement tube for 18 W / 24, 42 and 230 V
209599	Replacement tube for 36 W / 24, 42 and 230 V
240832	Holder for lamp 18-36 W / 230 V
124935	Rubber cap with hook
124932	Rubber grip
240064	Grip clamp for hose clip

#### Accessories

Item	Designation
105089	Magnetic holder (209 N) with clamp strap
211692	Suction holder with clamp



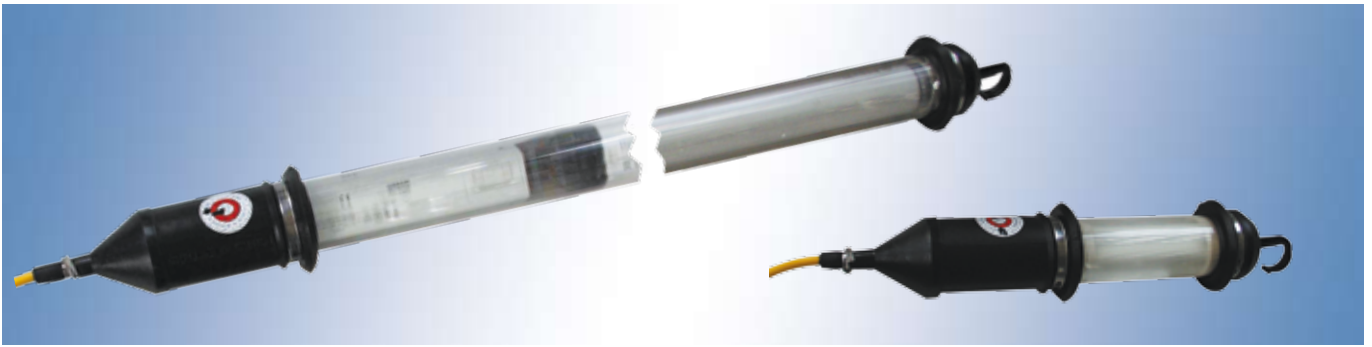
Magnet holder,  
holding force 209 N

Suction holder





## FL tubular light and hand-held lamp 985



### FL tubular lamp with 36 W

The FL 36 W is a conventional tubular light with fluorescent tube and ballast and consists of a robust, knock and impact-proof design, is resistant to oil and acid, and has many different uses.

#### Product features

Grip and cap are made from insulating material with impact-damping safety edges. The transparent tube is made from break-proof polycarbonate. The tubular light offers dazzle-free working light distributed across a wide area, as well as a practical suspension device with rotating hook. It is resistant to heat and cold.

#### Technical data

Voltage	230 V
Output	36 W
Ingress protection	IP55
Safety class	II
Weight	2000 g (no mains lead)

#### Standard range of tubular light FL

Version	Supply line	Plug
230 V/36 W	5 m 2 x 1.0 mm <sup>2</sup>	Contour plug
230 V/36 W	10 m 2 x 1.0 mm <sup>2</sup>	Contour plug

#### Accessories/spare parts

Designation
FL tube TL-D 36 W/Ø 26 mm
Safety tube (Ø 50 mm/L 1500 mm)
Ballast 230 V/36 W

Order numbers on request.

### Hand-held lamp 985 with 20 W

The hand-held lamp 985 is a compact and easy-to-use energy-saving lamp with a large light output. It can be used for many applications including as a work, search or inspection light and offers a robust, impact-proof design with small dimensions. The lamp offers a very good start function thanks to an electronic ballast. It also features a rotating suspension hook and is largely affected by temperature fluctuations.

#### Technical data

Voltage	230 V
Output	20 W
Ingress protection	IP65
Setting	E27
Weight	1.0 kg
Safety class	II

#### Standard range of hand-held lamp 985

Item	Version	Supply line	Plug
210477	230 V/20 W	5 m / 2 x 1,5 mm <sup>2</sup>	Contour plug
210481	230 V/20 W	10 m / 2 x 1,5 mm <sup>2</sup>	Contour plug

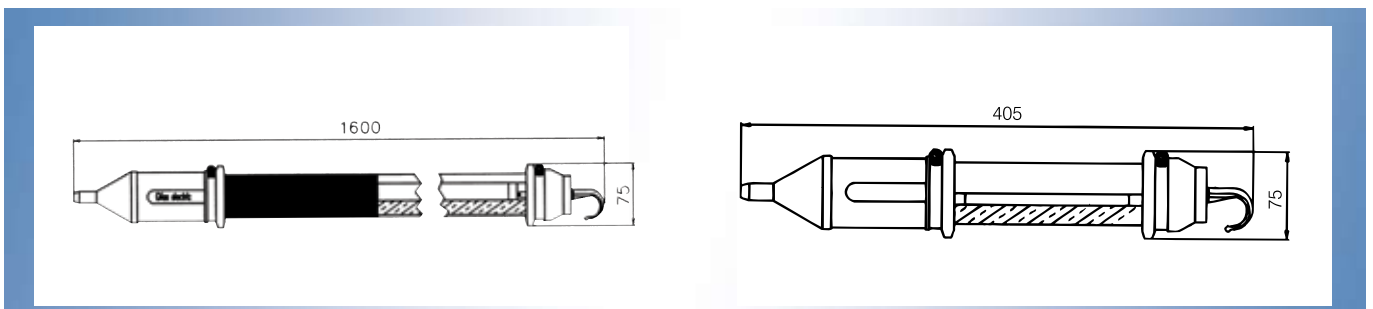
#### Accessories

Item	Designation
105089	Magnetic holder (209 N) with clamp strap
211692	Suction holder with clamp
	Holding magnet with clamp strap

#### Spare parts

Item	Designation
208530	Energy-saving lamp 20 W
123508	Safety tube (Ø 50 mm/L 250 mm)
124935	Rubber cap with hook
124932	Rubber grip

Other versions available on request



## Basket hand-held light 917



### Hand-held light 917 with basket guard

The hand-held light with basket guard is a robust and easy-to-use all-purpose light. It is impact-proof and resistant to chemical influences. It is therefore ideally suited for hobby usage, as well as use on construction sites or industrial applications.

#### Product features

The impact-resistant hand grip is made from rubber. The stable protecting cage can be removed with suspension hooks. The protective glass is resistant to temperature fluctuations. An impact-proof Gifalux bulb is used as the illumination component.

#### Technical data

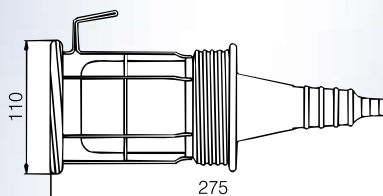
Voltage	230 V	24/42 V
Output	max. 60 W	max. 50 W
Ingress protection	IP20	IP20
Setting	E27	E27
Weight	0.6 kg	0.6 kg
Safety class	II	III

#### Standard range of basket hand-held lights 917

Item	Version	Supply line	Plug
203263	24 V/50 W	no	–
203264	24 V/50 W	5 m 2 x 1.0 mm <sup>2</sup>	CEE 2x16/24 V
128899	24 V / 50 W	10 m 2 x 1.0 mm <sup>2</sup>	CEE 2x16/24 V
203266	42 V / 50 W	no	–
203267	42 V / 50 W	5 m 2 x 1.0 mm <sup>2</sup>	CEE 2x16/42 V
203268	42 V / 50 W	10 m 2 x 1.0 mm <sup>2</sup>	CEE 2x16/42 V
132620	230 V / 60 W	no	–
134712	230 V / 60 W	5 m 2 x 1.0 mm <sup>2</sup>	Contour plug
121239	230 V / 60 W	10 m 2 x 1.0 mm <sup>2</sup>	Contour plug

#### Spare parts

Item	Designation	
105084	Spare glass	105129 Reflector
128813	Halogen lamp 24 V / 50 W / bayonet base	
202826	Halogen lamp 42 V / 50 W / bayonet base	
123824	Setting BA 15d with flange fastening	
105086	Spare safety basket	



# Halogen hand-held searchlight 911



## Halogen hand-held light 911 with 75/100 W

This is a powerful and compact hand-held lamp, especially well-suited for use as a search or inspection light or anywhere where light is required across long distances.

### Product features

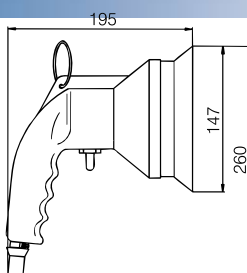
The safety-insulated and impact-proof light bodies consist of hard rubber with hanger. The ergonomic hand grip is fitted with a combi-switch for continuous lighting and pulse operation. The hand-held lamp is available as a spot beam as standard (narrow, constricted light cone up to 250 m).

### Technical data

Voltage	42 V and 24 V
Output	max. 100 W
Ingress protection	IP55
Weight	0.9 kg
Safety class	II

### Standard range of halogen hand-held searchlights 911

Item	Version	Supply line	Plug
203478	24V/75W wide beam	5 m 2 x 1.5 mm <sup>2</sup>	CEE 2x16/24 V
203484	24V/75W wide beam	10 m 2 x 1.5 mm <sup>2</sup>	CEE 2x16/24 V
112443	24V/100W spot beam	5 m 2 x 1.5 mm <sup>2</sup>	CEE 2x16/24 V
203484	24V/100W spot beam	10 m 2 x 1.5 mm <sup>2</sup>	CEE 2x16/24 V
203460	42V/75W wide beam	5 m 2 x 1.5 mm <sup>2</sup>	CEE 2x16/42 V
203464	42V/75W wide beam	10 m 2 x 1.5 mm <sup>2</sup>	CEE 2x16/42 V
112449	42V/100W spot beam	5 m 2 x 1.5 mm <sup>2</sup>	CEE 2x16/42 V
246512	42V/100W spot beam	10 m 2 x 1.5 mm <sup>2</sup>	CEE 2x16/42 V
114078	230/24V/75W wide beam	5 m 2 x 1.5 mm <sup>2</sup>	Mains plug
209396	230/24V/75W spot beam	10 m 2 x 1.5 mm <sup>2</sup>	Mains plug



## Additional options

### Halogen hand-held searchlight 911 with cord roller and safety transformer 120 VA, 230/24 V, with fine-wire fuse 5A

The combination of halogen hand-held searchlight with cord roller is especially suited for use in inspection work in large boilers, containers and similar.

### Special feature:

The safety transformer is integrated into the roller body.

### Additional articles

Item	Version
233428	Hand-held lamp 911, 100 W / spot beam, on cord roller, fully fitted with: 25 m cable, 2 x 2.5 mm <sup>2</sup> on main roller, ring toroidal transformer 230/24 V-120 VA integrated, mains lead 5 m, 2 x 1.5 mm <sup>2</sup> with contour plug on secondary roller
233553	Hand-held lamp 911, 75 W / board beam, on cord roller, fully fitted with: 25 m cable, 2 x 2.5 mm <sup>2</sup> on main roller, ring toroidal transformer 230/24 V-120 VA integrated, mains lead 5 m, 2 x 1.5 mm <sup>2</sup> with contour plug on secondary roller
208768	Safety transformer 120 VA / 230 V/24 V
208628	Safety transformer 120 VA / 230 V/42 V

### Spare parts

Item	Designation
105119	Rubber casing
105623	Flip switch
110223	Replacement glass for 75 W
104760	Replacement reflector for 75 W wide beam, setting, front screen
104761	Replacement reflector for 75 W spot beam, setting, front screen
105063	Replacement setting for 75 W
104739	Halogen lamp 75 W/24 V
202018	Halogen lamp 75 W/42 V
104759	Halogen lamp 100 W/24 V, setting, reflector
112727	Mains plug

# MasterLIGHT Workplace halogen light



## MasterLIGHT workplace halogen light

This workplace halogen lamp provides optimum illumination of the working area. The positive effects of good lighting include greater concentration for longer periods, improved attention to detail, greater security for persons and machines. The three variants are available with a spot beam or broad beam reflector. The robust solid rubber body with extremely impact-proof safety glass protects the halogen lamp and ensures a long service for this workplace light.

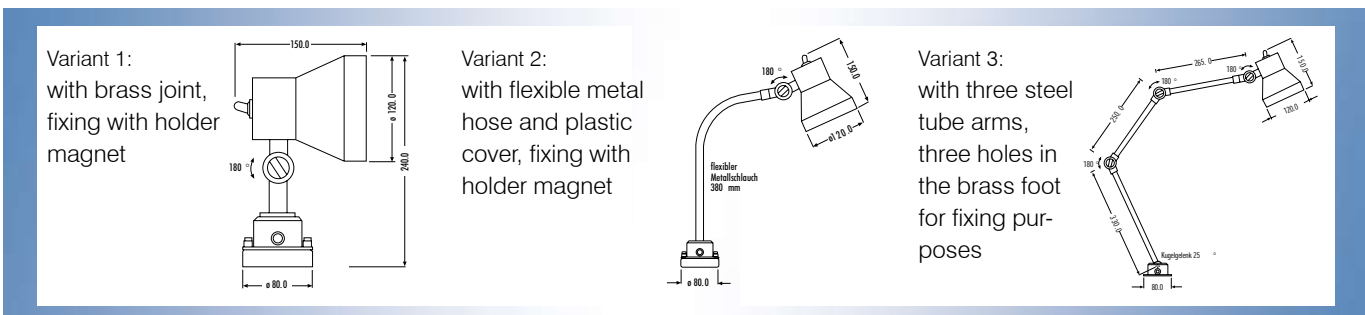
### Product features

- Optimum lighting of the workplace
- For mounting in small places
- Age-resistant and oil-resistant solid rubber body
- Nickel-plated brass joint to protect against oxidation
- Safety glass cover
- Flip switch protected by rubber cap
- Protection rating IP55
- Safety class (lamp) III



### Standard range of MasterLIGHT workplace lamp (accessories and spare parts, see page 25)

Item	Version	Volt	Watt	Supply line	Plug
119836	Broad beam lamp, variant 1	24 V	50 W	5 m 2x 1.0 mm <sup>2</sup>	CEE 2x 16 A/24 V
120162	Broad beam lamp, variant 1	24 V	50 W	10 m 2x 1.0 mm <sup>2</sup>	CEE 2x 16 A/24 V
119900	Spot beam lamp, variant 1	24 V	50 W	5 m 2x 1.0 mm <sup>2</sup>	CEE 2x 16 A/24 V
120918	Spot beam lamp, variant 1	24 V	50 W	10 m 2x 1.0 mm <sup>2</sup>	CEE 2x 16 A/24 V
203543	Broad beam lamp, variant 1	42 V	50 W	5 m 2x 1.0 mm <sup>2</sup>	CEE 2x 16 A/42 V
203544	Broad beam lamp, variant 1	42 V	50 W	10 m 2x 1.0 mm <sup>2</sup>	CEE 2x 16 A/42 V
204157	Spot beam lamp, variant 1	42 V	50 W	5 m 2x 1.0 mm <sup>2</sup>	CEE 2x 16 A/42 V
202330	Spot beam lamp, variant 1	42 V	50 W	10 m 2x 1.0 mm <sup>2</sup>	CEE 2x 16 A/42 V
126760	Broad beam lamp, variant 1	24 V	50 W	5 m 2x 1.0 mm <sup>2</sup>	Mains plug 230/24V, 100W
237677	Broad beam lamp, variant 1	24 V	50 W	10 m 2x 1.0 mm <sup>2</sup>	Mains plug 230/24V, 100W
119889	Broad beam lamp, variant 2	24 V	50 W	5 m 2x 1.0 mm <sup>2</sup>	CEE 2x 16 A/24 V
121800	Broad beam lamp, variant 2	24 V	50 W	10 m 2x 1.0 mm <sup>2</sup>	CEE 2x 16 A/24 V
119899	Spot beam lamp, variant 2	24 V	50 W	5 m 2x 1.0 mm <sup>2</sup>	CEE 2x 16 A/24 V
128889	Spot beam lamp, variant 2	24 V	50 W	10 m 2x 1.0 mm <sup>2</sup>	CEE 2x 16 A/24 V
203545	Broad beam lamp, variant 2	42 V	50 W	5 m 2x 1.0 mm <sup>2</sup>	CEE 2x 16 A/42 V
203546	Broad beam lamp, variant 2	42 V	50 W	10 m 2x 1.0 mm <sup>2</sup>	CEE 2x 16 A/42 V
200125	Spot beam lamp, variant 2	42 V	50 W	5 m 2x 1.0 mm <sup>2</sup>	CEE 2x 16 A/42 V
204158	Spot beam lamp, variant 2	42 V	50 W	10 m 2x 1.0 mm <sup>2</sup>	CEE 2x 16 A/42 V
131731	Broad beam lamp, variant 2	24 V	50 W	5 m 2x 1.0 mm <sup>2</sup>	Mains plug 230/24V, 100W
204843	Broad beam lamp, variant 2	24 V	50 W	10 m 2x 1.0 mm <sup>2</sup>	Mains plug 230/24V, 100W
119901	Broad beam lamp, variant 3	24 V	50 W	5 m 2x 1.0 mm <sup>2</sup>	CEE 2x 16 A/24 V
125591	Broad beam lamp, variant 3	24 V	50 W	10 m 2x 1.0 mm <sup>2</sup>	CEE 2x 16 A/24 V
119902	Spot beam lamp, variant 3	24 V	50 W	5 m 2x 1.0 mm <sup>2</sup>	CEE 2x 16 A/24 V
128913	Spot beam lamp, variant 3	24 V	50 W	10 m 2x 1.0 mm <sup>2</sup>	CEE 2x 16 A/24 V
203547	Broad beam lamp, variant 3	42 V	50 W	5 m 2x 1.0 mm <sup>2</sup>	CEE 2x 16 A/42 V
203548	Broad beam lamp, variant 3	42 V	50 W	10 m 2x 1.0 mm <sup>2</sup>	CEE 2x 16 A/42 V
204160	Spot beam lamp, variant 3	42 V	50 W	5 m 2x 1.0 mm <sup>2</sup>	CEE 2x 16 A/42 V
204159	Spot beam lamp, variant 3	42 V	50 W	10 m 2x 1.0 mm <sup>2</sup>	CEE 2x 16 A/42 V
133532	Broad beam lamp, variant 3	24 V	50 W	5 m 2x 1.0 mm <sup>2</sup>	Mains plug 230/24V, 100W
237678	Broad beam lamp, variant 3	24 V	50 W	10 m 2x 1.0 mm <sup>2</sup>	Mains plug 230/24V, 100W



## MasterLIGHT A Workplace halogen light



### MasterLIGHT A Workplace halogen light

This workplace light is extremely robust (with shatterproof glass), has an attractive design and is available in three different versions. It offers increased sealing force (IP 65). With the different joint types – rotating and swivel-motion – it is the right light for many different applications. Ideal for use in workplaces or machines where coolants or other liquids are used.

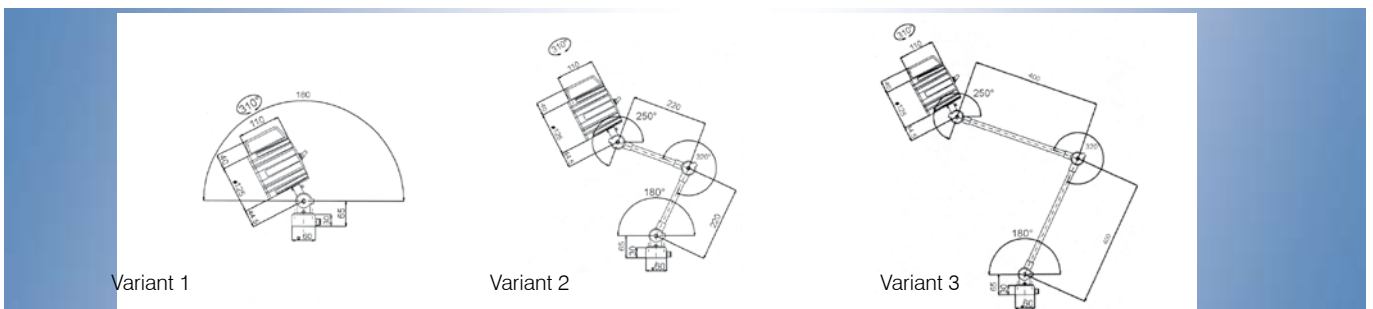
#### Product features

- Halogen lamp 50 W/850 Lumen
- Shatterproof safety glass
- Lamp body made from aluminium
- On/off switch behind lamp head
- Grip handle made from polyamide
- Rotating and swivel-motion in different positions
- Screw-on lamp foot
- Additional magnet foot with magnetic plate
- Protection rating IP65
- Safety class (lamp) III

#### Standard range of MasterLIGHT workplace halogen lights (accessories and spare parts, see page 25)

Item	Version	Volt	Watt	Supply line	Plug
236542	Bb*, var. 1, with one joint, 4 fixing holes	24 V	50 W	2 m, 3x 1.5 mm <sup>2</sup>	Plug-in transformer 230/24 V–100 W
236543	Bb, var. 2, with 220 mm joints, 4 fixing holes	24 V	50 W	2 m, 3x 1.5 mm <sup>2</sup>	Plug-in transformer 230/24 V–100 W
236544	Bb, var. 3, with 440 mm joints, 4 fixing holes	24 V	50 W	2 m, 3x 1.5 mm <sup>2</sup>	Plug-in transformer 230/24 V–100 W
236539	Bb, var. 1, with one joint, 4 fixing holes	24 V	50 W	2 m, 2x 1.0 mm <sup>2</sup>	CEE 2x 16 A/24 V
236540	Bb, var. 2, with 220 mm joints, 4 fixing holes	24 V	50 W	2 m, 2x 1.0 mm <sup>2</sup>	CEE 2x 16 A/24 V
236541	Bb, var. 3, with 440 mm joints, 4 fixing holes	24 V	50 W	2 m, 2x 1.0 mm <sup>2</sup>	CEE 2x 16 A/24 V

\*Bb = Broad beam



## Workplace lights - spare parts and accessories



### Spare parts for workplace halogen lights 994

Item	Description
104677	Halogen lamp 50 W/24 V
202017	Halogen lamp 50 W/42 V
104760	Broad beam lamp reflector with glass and setting
104761	Spot beam lamp reflector with glass and setting
110223	Spare glass
203879	Rubber casing
105623	Flip switch
112727	Mains plug 230/24 V

### Spare parts for workplace halogen lights 994A

Item	Description
104677	Halogen lamp 50 W/24 V
236642	Spare reflector
236641	Spare glass
236643	Replacement switch
236644	Safety cap for switch
112727	Mains plug 230/24 V
246902	Jointed stand VAR.3
245620	Jointed stand VAR.2
245361	Hand grip
245728	Metal foot
236645	Sealing ring for front screen

### Accessories for workplace halogen lights 994A

Item	Description
236637	Magnetic foot with screws, for version 1
236640	Zinc-plated plate for magnet, for version 1
251620	Glare shield grid

## Halogen floodlight projector 92/94/95



with safety frame



with super-grip clamp

### Halogen floodlight projector 92/94/95

These high quality halogen projector lamps, medium-width beam with high lighting efficiency, demonstrate excellent heat dissipation via large cooling ribs and special settings, which means that the halogen lamps therefore have a long service life. They offer universal options for use for spot-lighting at close range, outdoor and interior lighting for walls, ceilings and stand mounting with various accessories. Casing and frame are made from cast aluminium, unpainted, with silicone seal. All external steel parts are rust-free. The safety glass is resistant to changes in temperature, the reflector made from electro-polished aluminium and the mounting brackets are made from hot dip galvanised steel.

#### Technical data

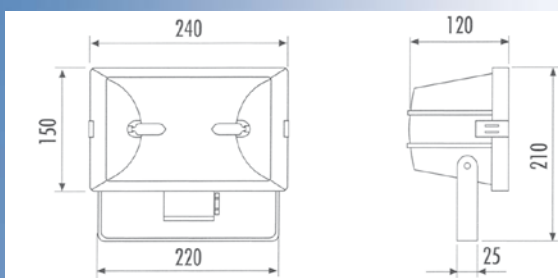
Voltage	24/42/230 V
Angle range	100°
Ingress protection	IP54
Safety class	I (230 V) / III (low voltage)
Weight	approx. 2.0 – 6.0 kg

#### Accessories

Item	Designation
105065	Wire safety grid made from nirosta
105515	Safety frame, zinc-plated
208292	Retractable stand from 1000 to 3500 mm
236484	Mounting bracket for 2 projectors for stand
105510	Super-grip terminal with adapter



Other versions available on request



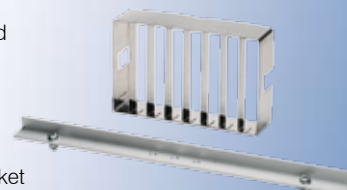
### Standard range of halogen floodlight projectors 92/94/95

Item	Version	Supply line	Plug
203527	24 V / 2x75 W	–	–
203529	24 V / 2x75 W	10 m 2 x 2.5 mm <sup>2</sup>	CEE 2x16/24 V
203549	24 V / 2x75 W	15 m 2 x 2.5 mm <sup>2</sup>	CEE 2x16/24 V
203531	24 V / 2x150 W	–	–
203550	24 V / 2x150 W	10 m 2 x 2.5 mm <sup>2</sup>	CEE 2x16/24 V
204387	24 V / 2x150 W	15 m 2 x 2.5 mm <sup>2</sup>	CEE 2x16/24 V
203500	42 V / 2x75 W	–	–
203502	42 V / 2x75 W	10 m 2 x 1.5 mm <sup>2</sup>	CEE 2x16/42 V
203551	42 V / 2x75 W	15 m 2 x 1.5 mm <sup>2</sup>	CEE 2x16/42 V
203486	42 V / 2x150 W	–	–
203552	42 V / 2x150 W	10 m 2 x 1.5 mm <sup>2</sup>	CEE 2x16/42 V
203553	42 V / 2x150 W	15 m 2 x 2.5 mm <sup>2</sup>	CEE 2x16/42 V
203563	24 V / 4x150 W	10 m 2 x 6.0 mm <sup>2</sup>	CEE 2x16/24 V
203555	42 V / 4x150 W	10 m 2 x 2.5 mm <sup>2</sup>	CEE 2x16/42 V
105044	230 V/500 W	–	–
130028	230 V/500 W	5 m 3 x 1.5 mm <sup>2</sup>	safety contact
115203	230 V / 500 W	10 m 3 x 1.5 mm <sup>2</sup>	safety contact

### Spare parts

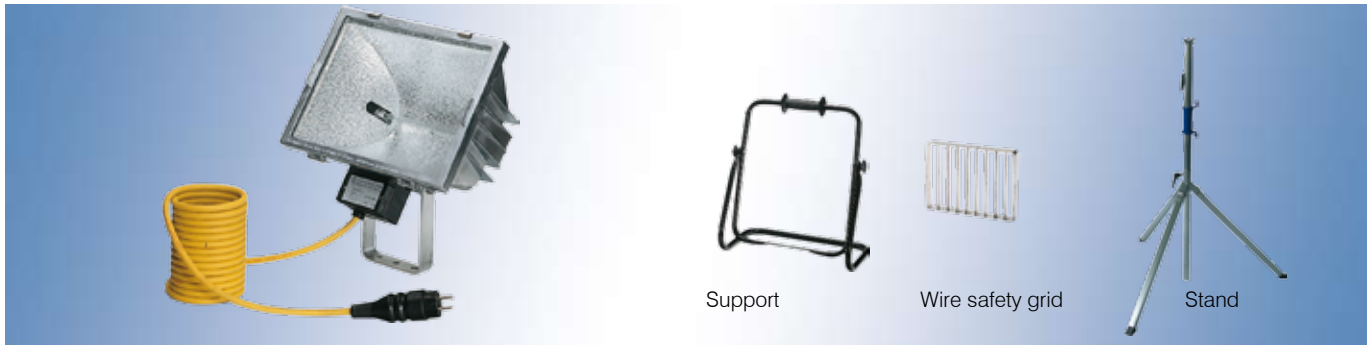
Item	Designation
124019	Halogen lamp with bayonet socket 75 W, 24 V
202822	Halogen lamp with bayonet socket 75 W, 42 V
128803	Halogen lamp with bayonet socket 150 W, 24 V
128804	Halogen lamp with bayonet socket 150 W, 42 V
103088	Halogen lamp tube 500 W, 230 V
105048	Front screen made from heat-resistant, impact-proof glass
105050	Frame for front screen
105052	Mounting bracket for projector
105053	Fixing material for mounting bracket
105054	Connecting box for projector
105056	Holding spring for front screen
105057	Reflector for projector
105059	Profile seal for projector
124170	Setting BA 15d without flange fastening
105067	Spring tension closure for front screen frame

Wire safety grid



Mounting bracket

## Halogen floodlight projector 9660



### Halogen floodlight projector 9660

The high quality halogen projector lamps 9660, medium-width beam with high lighting efficiency, demonstrates excellent heat dissipation via large cooling ribs and special sockets, which means that it has a long service life. They offer universal options for use for spot-lighting in commercial, industrial and public areas, outdoor and interior lighting for walls, ceilings and tripod mounting with various accessories. Casing and frame are made from cast aluminium, unpainted, with silicone seal. All external steel parts are rust-free. The safety glass is resistant to changes in temperature, the grooved mirror made from anodized aluminium and the mounting brackets are made from aluminium.

#### Technical data

Voltage	230 V
Angle range	100°
Ingress protection	IP55
Safety class	I
Weight	approx. 3,0 kg

#### Standard range of halogen floodlight projectors 9660

Item	Version	Supply line	Plug
131017	230 V / 1000 W	5 m 3 x 1,5 mm <sup>2</sup>	safety contact
117217	230 V / 1000 W	10 m 3 x 1,5 mm <sup>2</sup>	safety contact

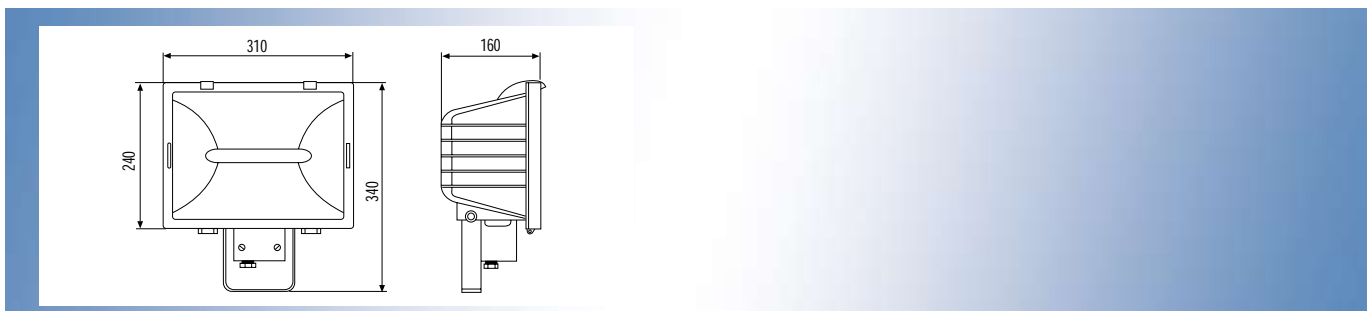
#### Spare parts

Item	Designation
103089	Halogen lamp tube 1000 W, R7S
112585	Front screen made from heat-resistant, impact-proof glass
132251	Frame for front screen
211518	Mounting bracket for projector incl. fixing material
132771	Connecting box for projector
115713	Reflector for projector
120757	Profile seal for projector
111704	Setting for projector
130468	Spring tension closure for front screen frame

#### Accessories

Item	Designation
261251	Retractable stand from 1,21 m to 2,82 m mobile
261253	Retractable stand from 1,21 m to 4,07 m mobile
261246	Retractable stand from 1,22 m to 2,75 m fixed
261249	Retractable stand from 1,30 m to 4,00 m fixed
208824	Mounting bracket for 2 projectors for stand
208294	Support
211517	Wire safety grid

Other versions available on request







## Halogen lamp



### Halogen bulbs

The Gifas halogen lamps are impressive in practical use. The extended burn duration results from a better design on the inside. You can use these reinforced versions anywhere you like. This is very important in mobile usage.

#### Product features

- potential-free
- Special tungsten helix
- High light efficiency
- Resistant to high temperatures thanks to quartz glass bulbs

#### Halogen lamp

Item	Voltage	Output	Execution
200333	12 V	10 W	Standard
104677	24 V	50 W	Standard
202017	42 V	50 W	Standard
109407	12 V	75 W	Standard
104739	24 V	75 W	Standard
202018	42 V	75 W	Standard
128813	24 V	50 W	with bayonet fitting
124019	24 V	75 W	with bayonet fitting
128803	24 V	150 W	with bayonet fitting
202826	42 V	50 W	with bayonet fitting
202822	42 V	75 W	with bayonet fitting
128804	42 V	150 W	with bayonet fitting

#### Halogen lamp tube, R7S version

Item	Voltage	Output
235780	24 V	150 W
103088	230 V	500 W
103089	230 V	1000 W
103087	42 V	400 W
237188	24 V	500 W
246642	42 V	500 W
103090	230 V	1500 W
103091	230 V	2000 W

## Example applications



FLASH-LIGHT rechargeable light with special wall charging battery for multiple lights



FLASH-LIGHT rechargeable light on wall holder with activated emergency light switch.



Safety tubular lights 975 used in airplane maintenance in the Airbus.



Safety tubular light 975 as lighting in a production hall



MITRALUX L140 rechargeable lights, integrated into the light trailer for civil defence vehicles. With special transport and charger box.



Optimum workstation lighting using PRIMA light, dazzle-free ceiling light with significant light output with low heat formation.

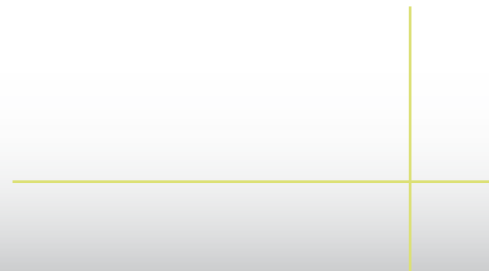


Flexible light installation on transportable utility and service vehicles: Safety tube lights insensitive to shocks and vibrations fitted on mobile service vehicles. Thanks to the high protection rating of IP67, can be used outdoors without problems or reservation. Various outputs and voltages available – precisely for your application!



Lighting system with 4 PRIMA lights for mobile rail-going service vehicles. Impact-proof polycarbonate casing with rubber safety edges for increased protection rating (up to IP65). Water and dust proof in any weather conditions.

# Contact us



We look forward to become acquainted with you personally!



Custom made solutions

**GIFAS W.J. Gröninger ELECTRIC GmbH**  
Borsigstrasse 9 • D-41469 Neuss  
Postfach 21 03 63 • D-41429 Neuss  
Phone 02137 105-0 • Fax 02137 105-230  
<http://www.gifas.de> • [verkauf@gifas.de](mailto:verkauf@gifas.de)

